



I-8037W-G

16-channel Isolated Open Collector Output Module

Features

- Source Type Digital Output
- Photocouple-isolation protection
- ± 4 kV ESD Protection
- Short Circuit Protection
- 3750 Vdc Intra-module Isolation
- RoHS Compliant
- Wide Operating Temperature Range: $-25 \sim +75$ °C



Introduction

The I-8037W provides 16 channels for Digital Output, each of which features Photocouple-isolation. The I-8037W supports Source Type output with short circuit protection and each channel can drive 100 mA load. There are options for configuring power-on and safe digital output values. ± 4 kV ESD protection and 3750 Vdc intra-module isolation are also provided to enrich the noise protection ability for industrial environment.

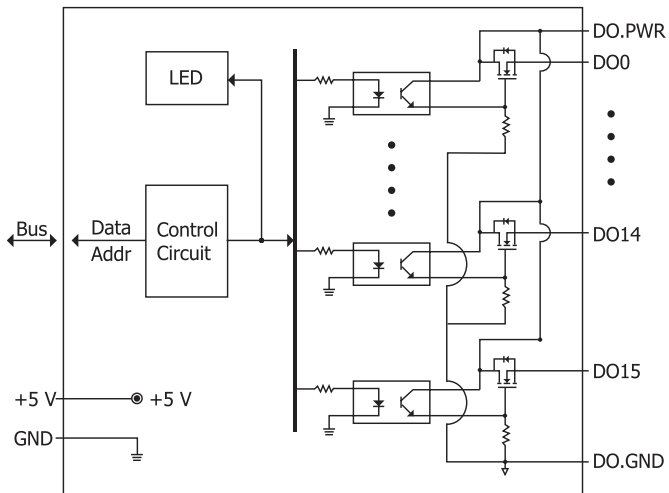
System Specifications

LED Indicators/Display	
System LED Indicator	1 LED as Power Indicator
I/O LED Indicator	16 LEDs as Digital Output Indicators
Isolation	
Intra-module Isolation, Field-to-Logic	3750 Vdc
EMS Protection	
ESD (IEC 61000-4-2)	± 4 kV Contact for Each Terminal
Power	
Power Consumption	0.9 W max.
Mechanical	
Dimensions (W x L x H)	30 mm x 102 mm x 115 mm
Environment	
Operating Temperature	$-25 \sim +75$ °C
Storage Temperature	$-40 \sim +85$ °C
Humidity	10 ~ 90% RH, Non-condensing

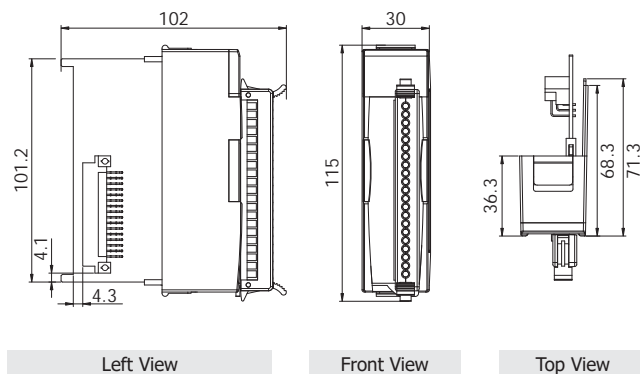
I/O Specifications

Digital Output	
Channels	16
Type	Isolated Open-Emitter
Sink/Source (NPN/PNP)	Source
Load Voltage	+5 ~ +30 VDC
Max. Load Current	100 mA/Channel

Internal I/O Structure



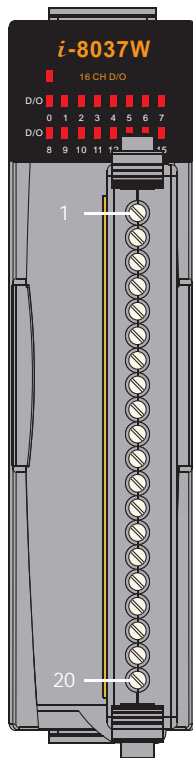
Dimensions (Units: mm)



Wire Connections

Output Type	ON State LED ON Readback as 1	OFF State LED OFF Readback as 0
Drive Relay	Relay ON 	Relay OFF
Resistance Load		

Pin Assignments



Terminal No.	Pin Assignment
01	DO0
02	DO1
03	DO2
04	DO3
05	DO4
06	DO5
07	DO6
08	DO7
09	DO8
10	DO9
11	DO10
12	DO11
13	DO12
14	DO13
15	DO14
16	DO15
17	DO.GND
18	DO.GND
19	DO.PWR
20	DO.PWR

Ordering Information

I-8037W-G CR	16-channel Isolated Open Collector Output Module (Gray Cover) (RoHS)
---------------------	--