



## HRT-370

Modbus Signal Filter (Upright)

### Features

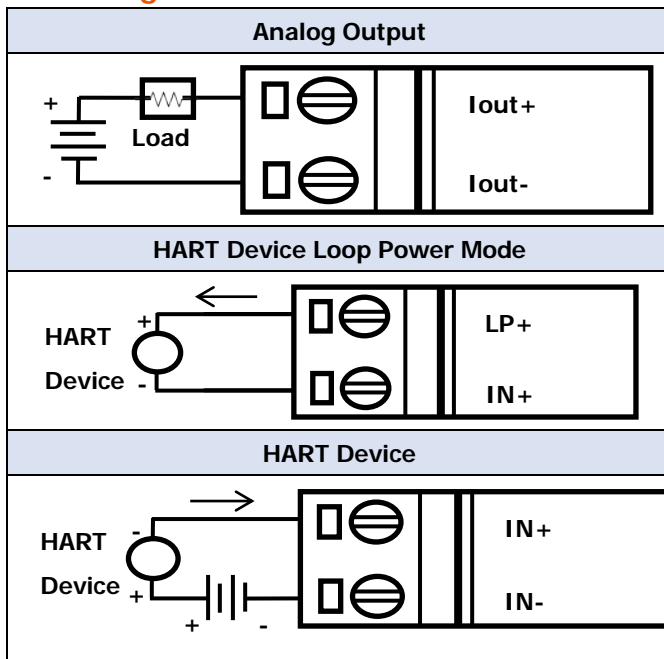
- 1 analog current output (HART signal filter) channel
- 1 by pass HART signal channel
- Support HART Burst mode
- Allow two HART Masters
- Support point-to-point HART mode
- Provide PWR/ HART/AO LED indicators
- 4KV ESD Protection
- Support Loop Power function (module provides +30V)
- Built-in load resistor (250 Ohm, 2W)
- Support DIN-Rail installation



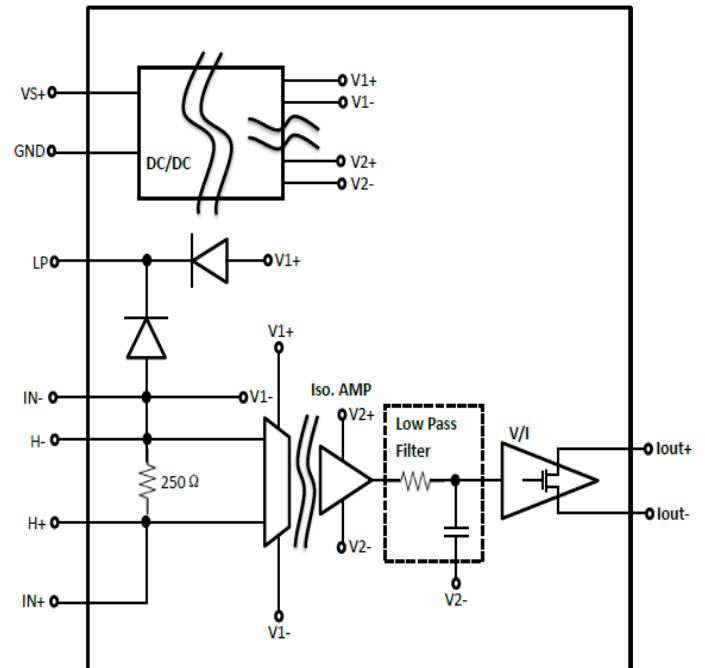
### Introduction

HRT-370 is a HART signal filter specially designed to solve the issue that analog signal gets interfered while additional HART signal adding to communication process. When connecting HRT-370 to a HART instrument, it splits the input HART signal to two output channels, one keeps the original HART signal and another filter the HART signal out to output pure analog signal. Therefore, users can make b700th HART and analog current data collection and processing easier and more precise by applying HRT-370.

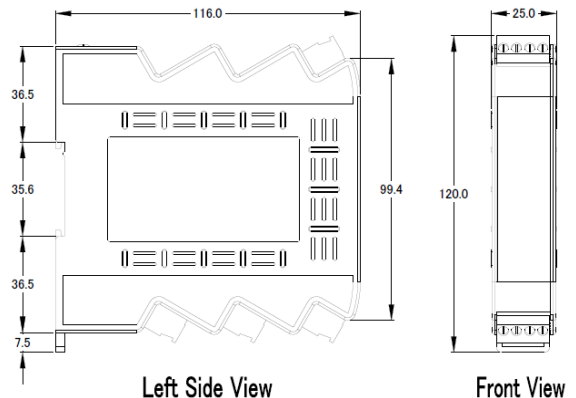
### Wiring



### Function Diagrams



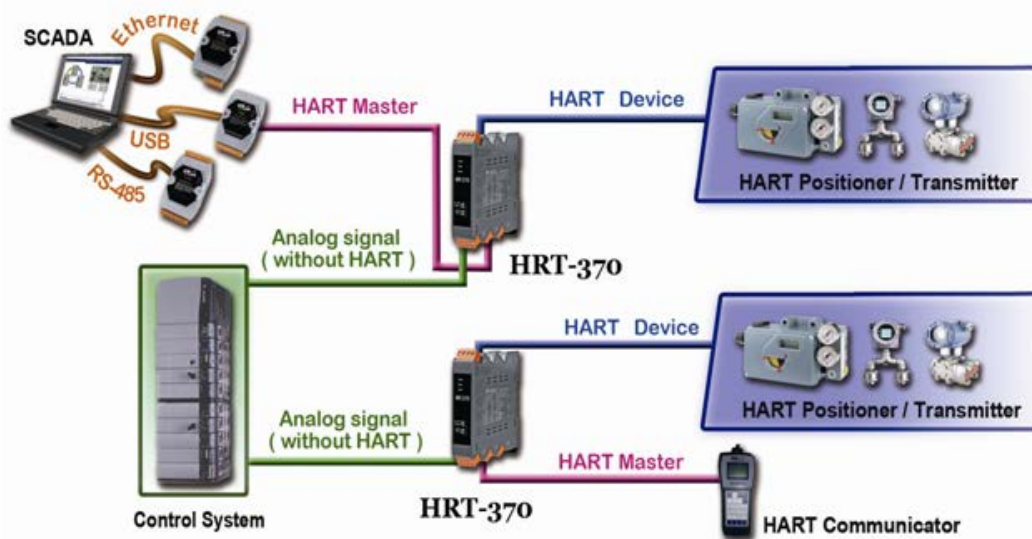
### Dimensions (Units: mm)



## Hardware Specifications

Analog input with HART Interface	
HART Connector	One 4-pin screwed terminal block (LP+, H+, H-)
HART Device	2-wired or 4-wired HART devices (Point to Point)
4KV ESD Protection	Yes
Isolation Voltage	2500 VDC
Loop Power	Yes (module provides +30V output)
Auxiliary Supply	24V @ 20mA
Input Impedance	250Ω±5% (2W)
Analog Output Interface	
Analog Output Connector	One 2-pin screwed terminal block ( IOUT+, IOUT-)
Current Output Capacity	External +30V @ 800Ω (Sink)
Zero/Span Drift (25°C)	4~20mA ± 0.1% FSR
Zero/Span Drift (-30/+80°C)	4~20mA ± 0.5% FSR
Response Time	40ms @ 250 Ω
Isolation Voltage	2500VDC
Power	
Power Supply	Unregulated +10 ~ +30 VDC
Protection	Power reverse polarity protection, Over-voltage brown-out protection
Power Consumption	Maximum: (20mA) => 0.05mA @ 30VDC, 1.5W
Mechanism	
Installation	DIN-Rail
Dimensions (W x L x H)	25 mm x 116 mm x 120 mm
LED Display	PWR: Module power status HART: HART connection status AO: AO connection status
Environment	
Operating Temp.	-25 °C ~ +75 °C
Storage Temp.	-30 °C ~ +80 °C
Humidity	5% ~ 95% RH, non-condensing

## Application



## Ordering Information

HRT-370	HART Signal Filter (Upright) (RoHS)
---------	-------------------------------------