



I-8026W-G

6-channel Analog Input, 2-channel Analog Output, 2-channel Digital Input and 2-channel Digital Output Module

Features

- Multifunction (6 AI, 2 AO, 2 DI and 2 DO)
- Overload and Short Circuit Protection for Digital Output
- Individual Channel Configuration
- Jumper Selectable Voltage or Current Input/Output
- ± 4 kV Contact ESD Protection
- Wide Operating Temperature Range: $-25 \sim +75$ °C



Introduction

The I-8026W is a multifunction module that includes 6 Analog Input channels, 2 Analog Output channels, 2 Digital Input channels, 2 Digital Output channels. It provides a programmable input range on all Analog Inputs (± 10 VDC, ± 5 VDC, ± 2.5 VDC, ± 1.25 VDC, ± 20 mA (Jumper Select), Analog Outputs are 12-bit at ± 10 VDC, ± 5 VDC, $0 \sim 10$ VDC, $0 \sim 5$ VDC, $0 \sim 20$ mA. Each analog input can be configured for an individual range and provides a high overvoltage protection of 240 Vrms. Voltage and current inputs/outputs are jumper selectable.

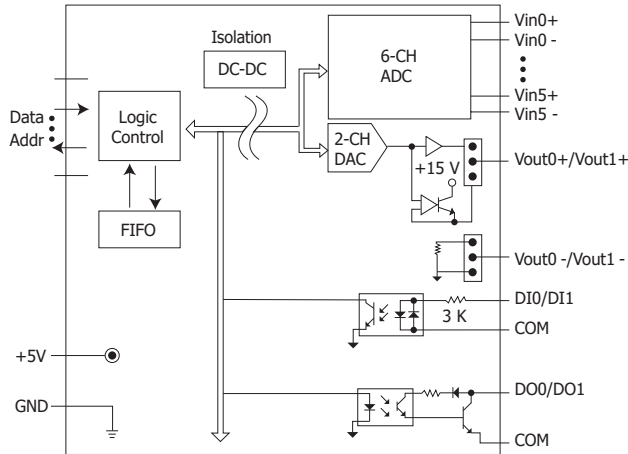
System Specifications

Model	I-8026W
LED Indicators/Display	
System LED Indicator	1 LED as Power Indicator
I/O LED Indicator	4 LEDs as Digital Input & Digital Output Indicators
Isolation	
Intra-module Isolation, Field-to-Logic	2500 VDC
EMS Protection	
ESD (IEC 61000-4-2)	± 4 kV Contact for Each Terminal
Power	
Power Consumption	1.8 W Max.
Mechanical	
Dimensions (W x L x H)	30 mm x 102 mm x 115 mm
Environment	
Operating Temperature	$-25 \sim +75$ °C
Storage Temperature	$-40 \sim +85$ °C
Humidity	10 ~ 90% RH, Non-condensing

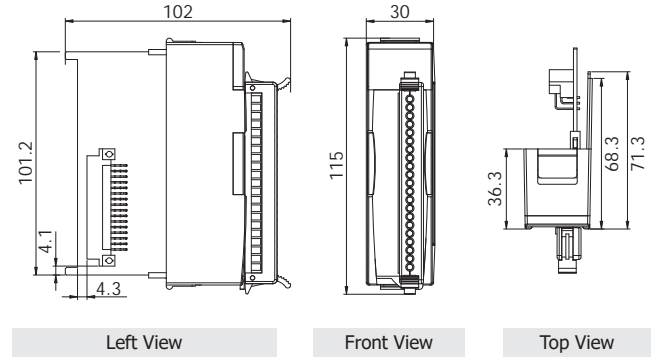
I/O Specifications

Model	I-8026W
Analog Input	
Channels	6
Range	± 10 VDC, ± 5 VDC, ± 2.5 VDC, ± 1.25 VDC, ± 20 mA (Jumper Select)
Resolution	12-bit
Accuracy	0.2% of FSR ± 1 LSB
Overvoltage Protection	240 Vrms
Input Impedance	> 2 M Ω
Sampling Rate	Max. to 9k Samples/Sec.
Individual Channel Configuration	Yes
Analog Output	
Channels	2
Range	± 10 V, ± 5 V, $0 \sim 10$ V, $0 \sim 5$ V, $0 \sim 20$ mA (Jumper Select)
Resolution	12-bit
Accuracy	$\pm 0.2\%$ of FSR
Voltage Output Capability	10 VDC @ 20 mA
Individual Channel Configuration	Yes
Digital Input	
Channels	2
Type	Wet contact
Sink/Source	Sink, Source
On Voltage Level	$+10 \sim 30$ VDC
Off Voltage Level	$+4$ VDC max.
Digital Output	
Channels	2
Sink/Source (NPN/PNP)	Sink
Type	Isolated Open Collector
Max. Load Current	100 mA/Channel
Load Voltage	$+5 \sim +30$ VDC

Internal I/O Structure



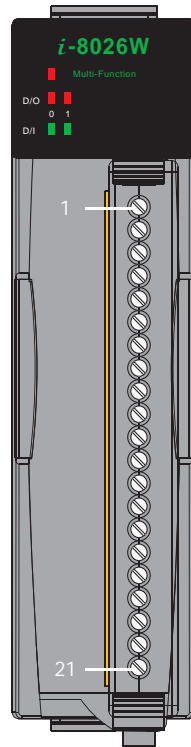
Dimensions (Units: mm)



Wire Connections

Voltage Input		
mV/V		JUMPER Default
Current Input		
mA		JUMPER
Voltage Output		
Load		JUMPER Default
Current Output		
Load		JUMPER
Digital Input/Counter	ON State Readback as 1	OFF State Readback as 0
Wet Contact (Sink)		
Digital Output	ON State Readback as 1	OFF State Readback as 0
Open Collector (Sink)		

Pin Assignments



Terminal No.	Pin Assignment
01	Vin0+
02	Vin0 -
03	Vin1+
04	Vin1 -
05	Vin2+
06	Vin2 -
07	Vin3+
08	Vin3 -
09	Vin4+
10	Vin4 -
11	Vin5+
12	Vin5 -
13	Vout0+
14	Vout0 -
15	Vout1+
16	Vout2 -
17	DO0
18	DO1
19	DI0
20	DI1
21	COM

Ordering Information

I-8026W-G CR	6-channel Analog Input, 2-channel Analog Output, 2-channel Digital Input and 2-channel Digital Output Module (Gray Cover) (RoHS)
---------------------	--