

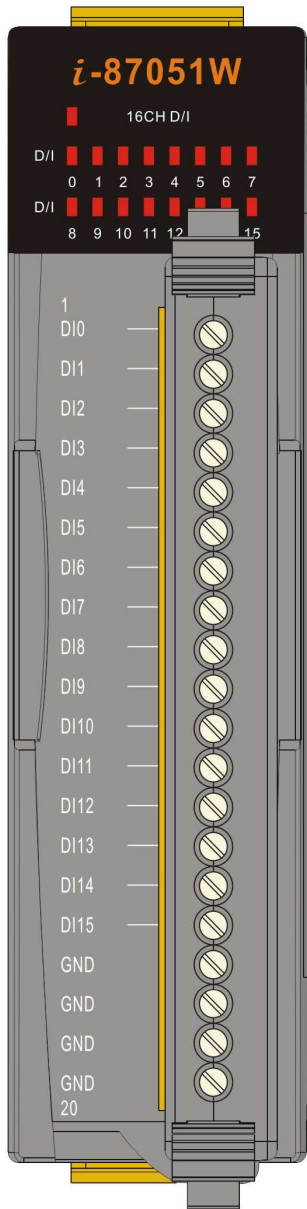
# I-87051W Hardware User Guide *Ver 1.0*

*Last Modified 12/04/2006*

## ***I-87051W Specifications***

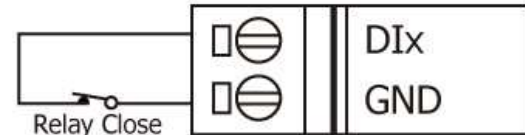
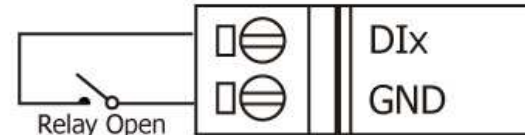
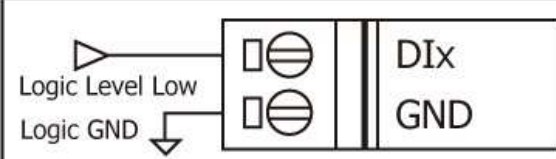
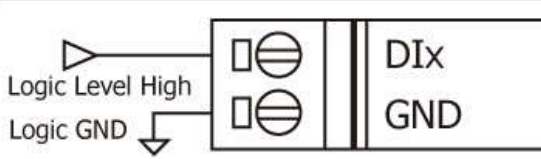
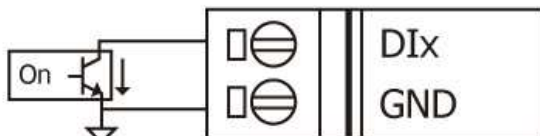
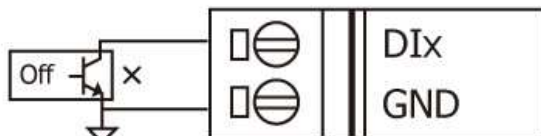
<b>Digital input Module</b>	
<b><i>Input Channels</i></b>	<b><i>16(Sink)</i></b>
<b><i>Input Type</i></b>	<b><i>Non-Isolated</i></b>
<b><i>ON State</i></b>	<b><i>+1V Max (Connect to GND)</i></b>
<b><i>OFF State</i></b>	<b><i>+3.5V~30V (Open)</i></b>
<b><i>Isolation Voltage</i></b>	<b><i>3750 Vrms</i></b>
<b><i>4KV ESD Protection</i></b>	<b><i>Yes, contact for each terminal</i></b>
<b><i>LED Display</i></b>	<b><i>1 LED as Power/ Communication Indicator 16 LED as Digital Input Indicators</i></b>
<b><i>Power Consumption</i></b>	<b><i>0.5W max.</i></b>

# I-87051W Pin Assignment



Terminal No.	Pin Assignment Name
01	DI0
02	DI1
03	DI2
04	DI3
05	DI4
06	DI5
07	DI6
08	DI7
09	DI8
10	DI9
11	DI10
12	DI11
13	DI12
14	DI13
15	DI14
16	DI15
17	GND
18	GND
19	GND
20	GND

# I-87051W Wire Connection Type

Input Type	ON State LED ON Readback as 1	OFF State LED OFF Readback as 0
Relay Contact	Relay ON	Relay Off
		
TTL/CMOS Logic	Voltage < 1V	Voltage > 3.5V
		
Open Collector	Open Collector On	Open Collector Off
		

# I-87051W Internal I/O Structure

