



**XP-8031-CE6/XP-8131-CE6/XP-8331-CE6/XP-8731-CE6**

Standard PAC with x86 CPU and WinCE 6.0

### Features

- x86 CPU, 1.0 GHz, dual-core
- Windows CE 6.0
- 2 GB DDR3 and 32 GB Flash
- 16 KB EEPROM and 512 MB MRAM for data retention
- 64-bit Hardware Serial Number for Software Protection
- VGA Display Output
- 2 10/100/1000M Ethernet Ports
- Redundant Power Input
- Operating Temperature: -25 ~ +75 °C



### Introduction

XP-8000-CE6 Series is the new generation Windows CE 6.0 based PACs of ICP DAS. It is equipped with a x86 CPU (1 GHz) dual-core, various connectivity (VGA, USB, Ethernet, RS-232/485) and 0/1/3/7 I/O slot(s) for high performance parallel I/O module(s) (high profile I-8K Series) and serial I/O modules (high profile I-87K series).

The benefits of running Windows CE 6.0 on XP-8x31-CE6 include hard real-time capability, small core size, fast boot speed, interrupt handling at a deeper level and achievable deterministic control. XPAC is also capable of running PC-based control software such as Visual Basic .NET, Visual C#,.... etc. It has all of the best features of both traditional PLCs and Windows capable PCs.

For software copy protection, programmers can design software based on the 64-bit hardware serial number for making software copy protected.

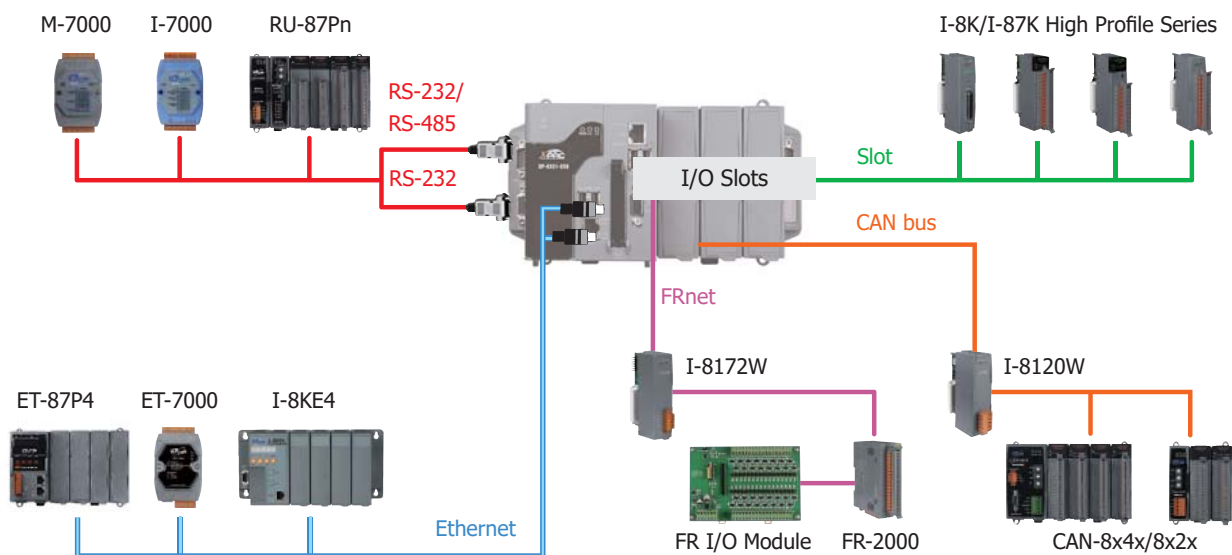
### Windows CE 6.0

Windows CE 6 is a compact and real-time OS used to quickly create time critical and high performance applications. With Windows CE 6, users can use familiar tools (VS .NET 2005/2008) to develop software. Its kernel architecture supports significantly more simultaneously running processes, from 32 up to 32,000 simultaneous processes, each of which can run in a 2 GB virtual memory address space. This allows developers to incorporate larger numbers of more complex applications into the XP-8x31-CE6.



- FTP Server
- Web Server
- SQL Compact Edition 3.5
- .NET Compact Framework 3.5

### Applications

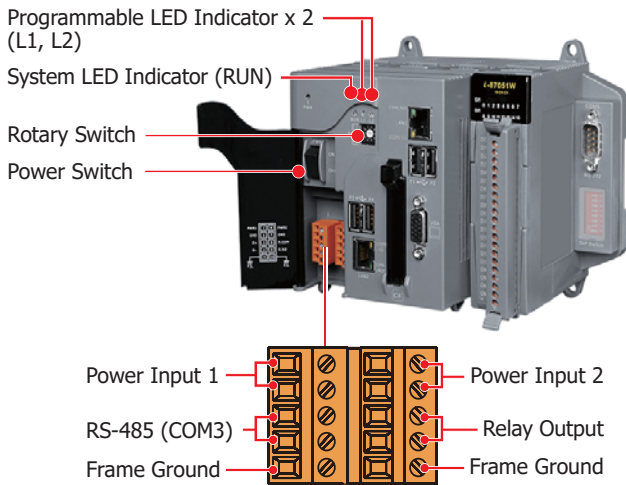


## Specifications

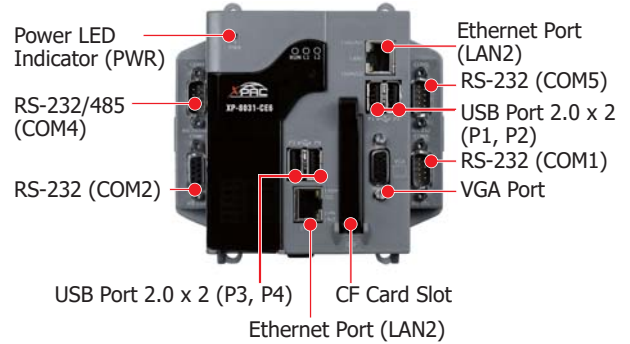
Model	XP-8031-CE6	XP-8131-CE6	XP-8331-CE6	XP-8731-CE6
<b>Software</b>				
OS	Windows CE 6.0			
Framework Support	.Net Compact Framework 3.5			
Service	FTP Server, ASP (Java Script, VB Script), SQL Compact Edition 3.5			
SDK	DII for eVC, DII for Visual Studio.Net 2005/2008			
Multilanguage Support	English, German, French, Spanish, Portuguese, Russian, Italian, Korean, Japanese, Simplified Chinese, Traditional Chinese			
<b>Main Unit</b>				
CPU	x86 CPU, 1 GHz, dual-core			
SDRAM	2 GB DDR3 SDRAM			
MRAM	512 KB			
Flash	32 GB			
EEPROM	16 KB			
Storage	8 GB CF card (up to 32 GB)			
RTC (Real Time Clock)	Provide seconds, minutes, hours, day of week/month, month and year			
64-bit Hardware Serial Number	Yes, for software copy protection			
Watchdog Timer	Dual Watchdog Timer			
Real Time Clock	Provide seconds, minutes, hours, dates, day of week, month, year			
Rotary Switch	1 x 10 Position (0 ~ 9)			
DIP Switch	-	8-bit for address		
<b>Display</b>				
VGA Resolution	640 × 480, 800 × 480, 800 × 600, 1024 × 768			
LED Indicator	1 x System, 1 x Power, 2 x Programmable			
<b>VGA &amp; Communication Ports</b>				
VGA Resolution	640 × 480, 800 × 480, 800 × 600, 1024 × 768			
Ethernet	2 x RJ-45 10/100/1000M Base-TX (Auto-negotiating, Auto MDI/MDI-X, LED indicators)			
USB 2.0 (host)	4			
COM1	RS-232 (Rx/D, Tx/D and GND); non-isolated	Internal communication with the I-87K series modules in slots		
COM2	RS-232 (Rx/D, Tx/D and GND); non-isolated			
COM3	RS-485 (Data+, Data-) with internal self-tuner ASIC; 3000 VDC isolated			
COM4	RS-232/RS-485 (Rx/D, Tx/D, CTS, RTS, GND for RS-232, Data+, Data- for RS-485); non-isolated			
COM5	RS-232 (Rx/D, Tx/D, CTS, RTS, DSR, DTR, CD, RI and GND); non-isolated			
<b>I/O Expansion</b>				
I/O Expansion Slot	-	1	3	7
<b>Mechanical</b>				
Dimension (W x L x H), unit: mm	137 x 132 x 125	169 x 132 x 125	231 x 132 x 125	355 x 132 x 125
Installation	DIN-Rail, Wall mounting			
<b>Environmental</b>				
Operating Temperature	-25 ~ +75 °C			
Storage Temperature	-30 ~ +80 °C			
Humidity	10 ~ 90 % RH, Non-condensing			
<b>Power</b>				
Input Range	+10 ~ +30 VDC			
Isolation	1 kV			
Redundant Power Input	Yes, with one power relay (1 A @ 24 VDC) for alarm			
Capacity	20 W	25 W	30 W	35 W
Consumption	12 W (0.5 A@24 VDC)	16.6 W (0.69 A@24 VDC)	16.8 W (0.7 A@24 VDC)	18 W (0.75 A@24 VDC)

## Appearance

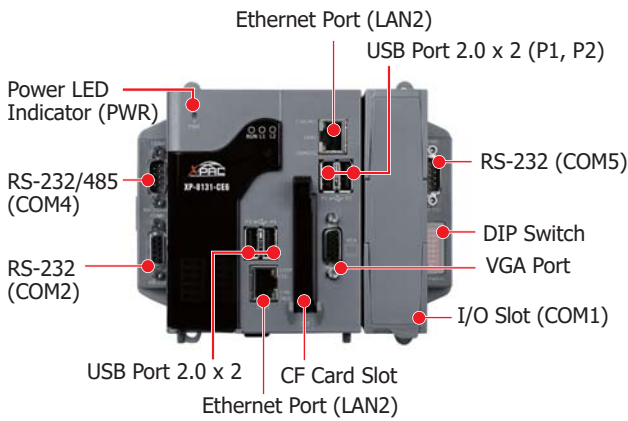
**XP-8000-CE6**



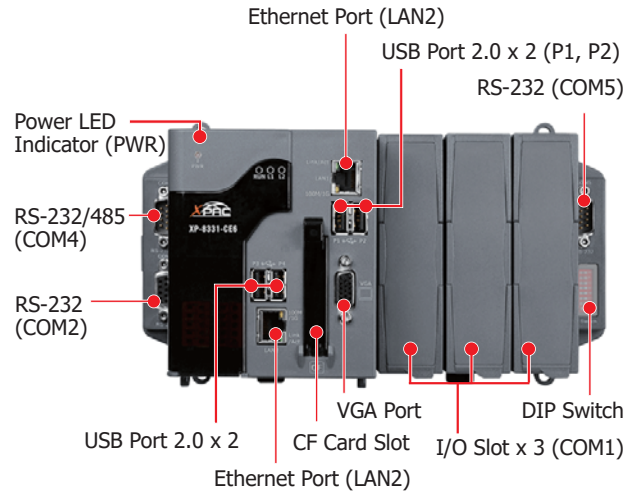
**XP-8031-CE6**



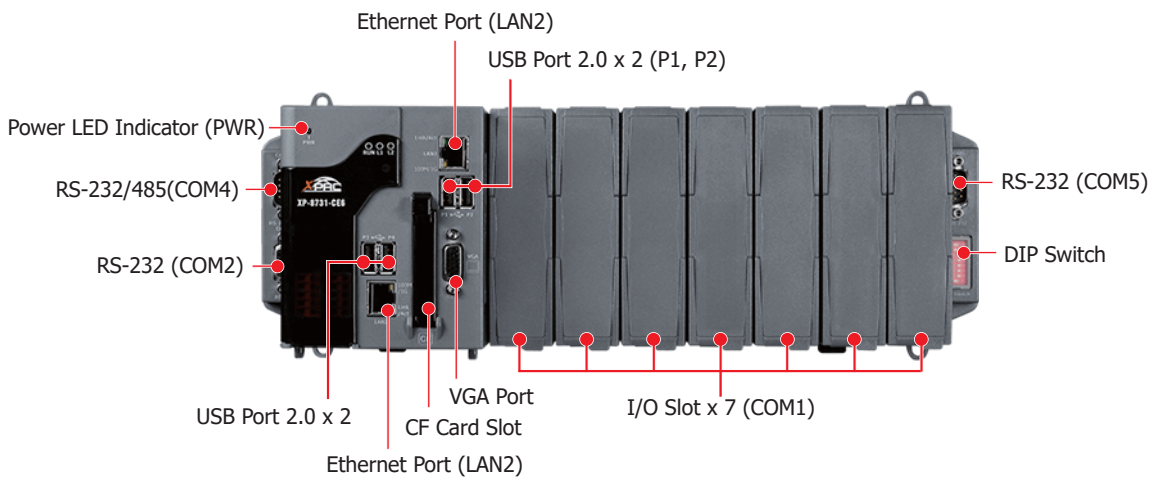
**XP-8131-CE6**



**XP-8331-CE6**

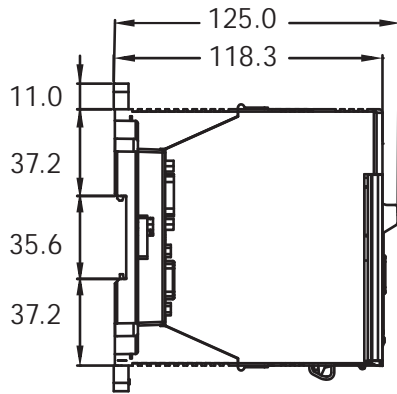


**XP-8731-CE6**



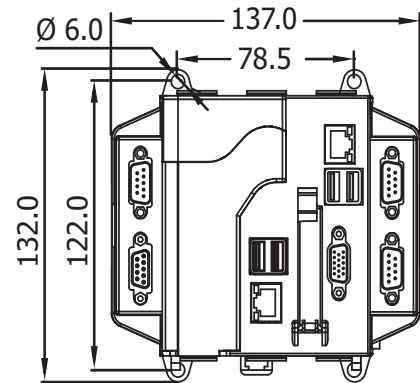
## ■ Dimensions (Units: mm)

**XP-8000-CE6**



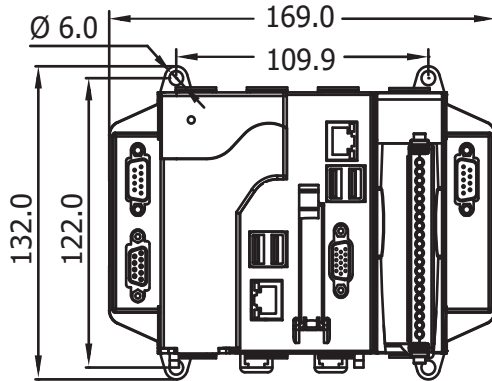
Left Side View

**XP-8031-CE6**



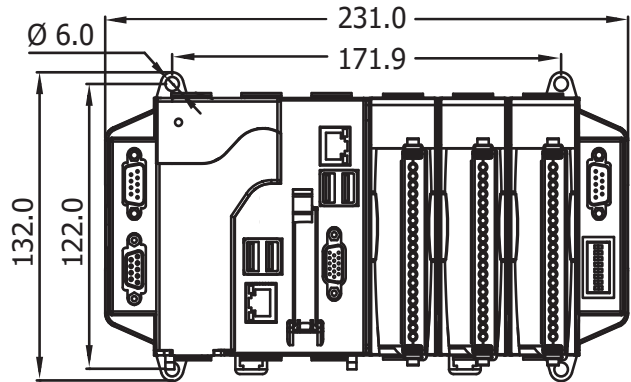
Front View

**XP-8131-CE6**



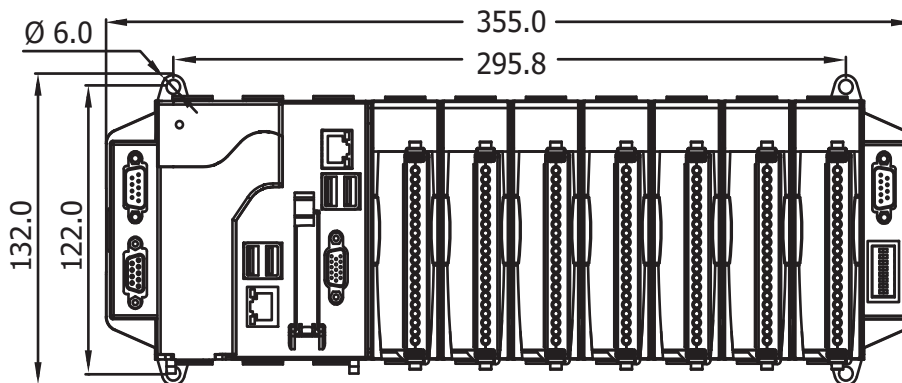
Front View

**XP-8331-CE6**



Front View

**XP-8731-CE6**



Front View

## ■ Ordering Information

<b>XP-8031-CE6 CR</b>	Standard PAC with x86 CPU and WinCE 6.0 (RoHS)
<b>XP-8131-CE6 CR</b>	1-slot Standard PAC with x86 CPU and WinCE 6.0 (RoHS)
<b>XP-8331-CE6 CR</b>	3-slot Standard PAC with x86 CPU and WinCE 6.0 (RoHS)
<b>XP-8731-CE6 CR</b>	7-slot Standard PAC with x86 CPU and WinCE 6.0 (RoHS)