
FR-2053TA/FR-2053HTA

16-Channel Isolated Sink/Source Digital Input Module

User Manual

Warranty

All products manufactured by ICP DAS are warranted against defective materials for a period of one year from the date of delivery to the original purchaser.

Warning

ICPDAS assumes no liability for damages consequent to the use of this product. ICP DAS reserves the right to change this manual at any time without notice. The information furnished by ICP DAS is believed to be accurate and reliable. However, no responsibility is assumed by ICP DAS for its use, not for any infringements of patents or other rights of third parties resulting from its use.

Copyright

Copyright 2004 by ICP DAS. All rights are reserved.

Trademark

The names used for identification only may be registered trademarks of their respective companies.

Table of Contents

1. Introduction	3
1.1. Features	6
1.2. Specifications	7
1.3. Ordering information	8
2. Hardware description.....	9
2.1. LED indicator:.....	10
2.2. Pin Assignment and I/O wire connection	11
2.3. Address Setting:.....	12
2.4. FRnet Application Structure	13
2.5. Dimensions:	16

1. Introduction

The FR-2053TA/FR-2053HTA module provides a 16-channel isolated sink/source digital output in the FRnet. The “-T” denotes the screw terminal connector, allowing users to connect to the DO signals on module directly. The I/O data transmission is controlled by the FRnet control chip which was developed by ICPDAS. It was designed to provide for a deterministic high speed network communication. The communication mechanism is dominated by the token-stream, which is generated by the network manager located at a specific node (**SA0**). This manager provides for fixed scan-time and I/O synchronization capability without the need of any special communication protocol. Furthermore, special anti-noise circuitry has also been considered and built into the FRnet control chip to ensure communication reliability. This distributive digital output module must be connected to other module or a host controller with a network manger built in.

However, the effectiveness of the FRnet connection depends on and is then ensured when the correct hardware configurations for the sender address (SA) and receiver address (RA) on the host controller and the remote module in the network have been installed properly. In general, the operating principle is structured by the strategy of delivering the 16-bit data from the specified sender address (SAn) to the corresponding receiver address (RAn) via the broadcasting method controlled by the token-stream of the

network manager, SA0. Based on this algorithm, there are some general rules that need to be followed:

- (1) The sender address needs to be unique in order to avoid any communication collisions.
- (2) Each of the FRnet needs at least one network manager defined as SA0. It plays the important role of producing the token-stream in the network.
- (3) The baud rates of the controller and the remote modules need to be the same as on the FRnet.
- (4) The communication method is controlled by delivering the data of the specified sender address (SA) to the corresponding receiver address (RA) in the sequence of token 0 to N cyclically, as depicted below.
- (5) Due to the broadcasting algorithm adopted, the receiver address is not required to be unique. Therefore, it is easy to build a data delivery from one node (16-bit data) to a multi-node.

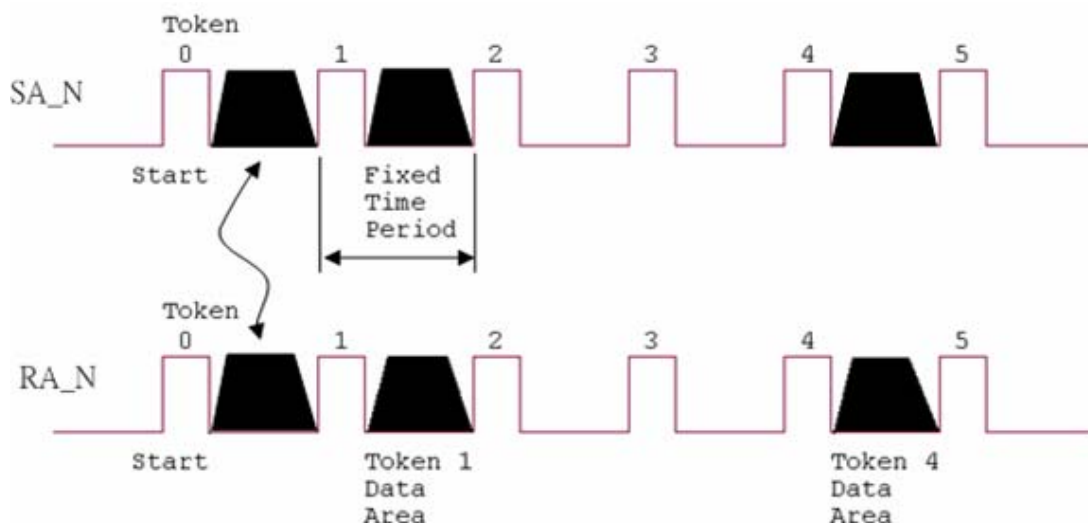


Figure 1.1 Token stream controlled by network manager, SA0

An example of the FRnet application structure for delivering data from the specified sender address (SA_n) to the corresponding receiver address (RA_n) by a 4-wire inter module cable, including a 2-wire power supply cable, is shown in the figure below.

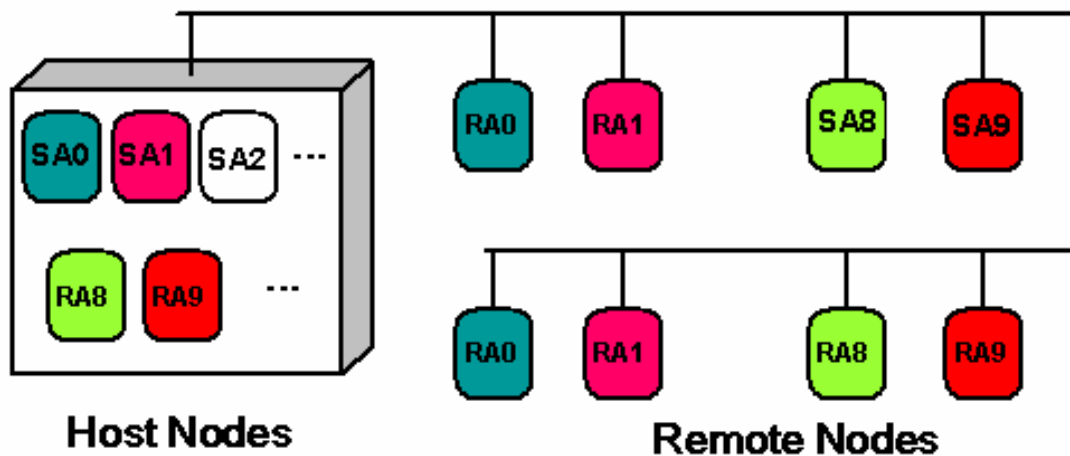


Figure 1.2 The example of an FRnet application structure

1.1. Features

- The Token stream is used to activate data transmission from the specified SA node to the corresponding RA nodes.
- The Network Manager is defined as SA0. Each of the FRnet must have SA0 because it issues the Token stream into the network.
- The Token stream is produced cyclically by the hardware system (SA0) at the fixed time interval, see Figure 1.1. Therefore, the FRnet system can provide for both Isochronous and Deterministic functionalities.
- It can provide data transmission from one node (16-bit) to one node or from one node to multiple nodes at the same time because FRnet uses the principle of delivering the data from the sender address to the receiver address. Therefore, the sender address must be unique, but the receiver address can be different or the same in the network.
- The FRnet system can easily be extended by adding new modules to the network according to the FRnet principle.
- Device Inter-communication: A single device can talk to other devices by setting appropriate SA and RA node configurations.
- No software overhead: All data transmissions are performed automatically via the FRnet control chip. Therefore, there is no need for the CPU or firmware to process transmission protocols.
- It only needs simple RS-485 wiring.
- The DIN-Rail mounting is provided.

1.2. Specifications

Table 1.1 Specifications for FR-2053TA/2053HTA modules.

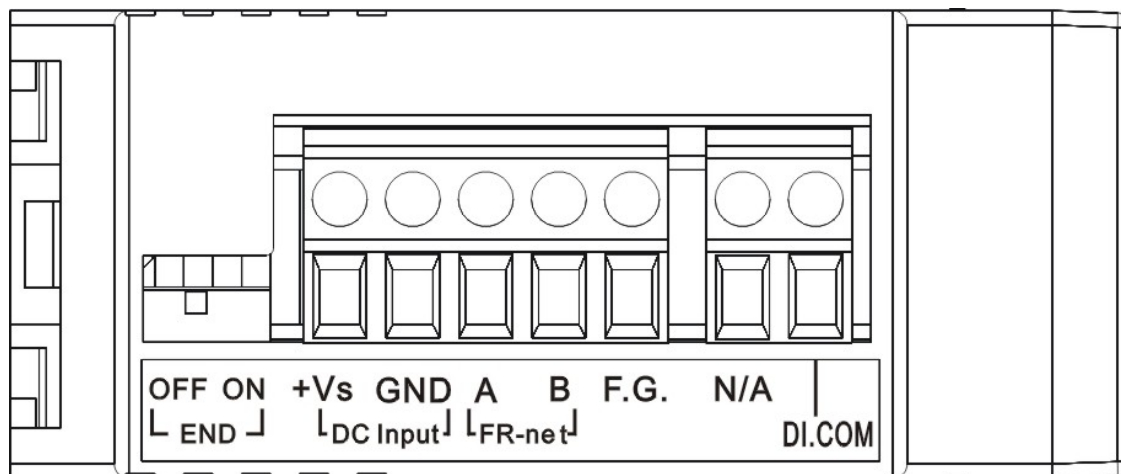
Digital Input	
Input Channel	16 (Sink/Source)
Input Type	Isolation, One Common for All Digital Inputs
On Voltage Level	+3.5V ~ 30V
Off Voltage Level	+1V max
Input Impedance	3K Ohms
Isolation Voltage	3750Vrms
Interface	
2-wire cabling	CPEV 0.9 (2P twisted-pair cable), When different cables are used, the transmission distance may change
Transfer distance	Max. 400m Max. 100m for "H" version
LED Indicators	Power, Communication Run, Communication Error, Terminal resistor, Digital output
Transfer speed	250Kbps 1Mbps for "H" version
Cyclic scan time	2.88ms 0.72ms for "H" version
Connection	Removable 20-pin Terminal Block
Power	
Input Voltage Range	+10 ~ +30VDC (Non-isolation)
Power consumption	2.4W Max
Protection	Power reverse polarity protection
Frame Ground for EMS Protection	Yes
Connection	5-Pin Removable Terminal Block
Mechanical	
Case	Plastic
Flammability	UL 94V-0 materials
Dimensions	32.5 x 110 x 102 mm (W x H x D)
Installation	DIN-Rail
Mechanical	
Operating Temperature	-25 °C~ +75°C
Storage Temperature	-30 ~ +85°C
Ambient Relative Humidity	10% to 90% non-condensing

1.3. Ordering information

Model No.	Description	
FR-2053TA	250Kbps	SA 8,9,10,11,12,13,14,15
FR-2053HTA	1Mbps	SA 8,9,10,11,12,13,14,15

Note: The H version (high speed version) is optional. It is recommended to choose the normal speed version first. Modules of different speed version are not allowed to work together. If you need high-speed version, please make contact with manufacturer.

2. Hardware description



OFF(END) : 120R terminating resistor Disable

ON(END) : 120R terminating resistor Enable

In addition to these connectors, there is also one switch on the side of the module which can decide to use the internal terminal resistor on the network or not. If you switch it on, it means that the module will provide the terminal resistor on the network. Note that each network needs two modules to be on, which are usually the first and last module on the network.

+Vs(DC Input) : Power input (+10 to +30V) and should be connected to the power supply (+)

GND(DC Input) : Ground and should be connected to the power supply (-)

A(FR-net) : Communication line "A(Data+)"

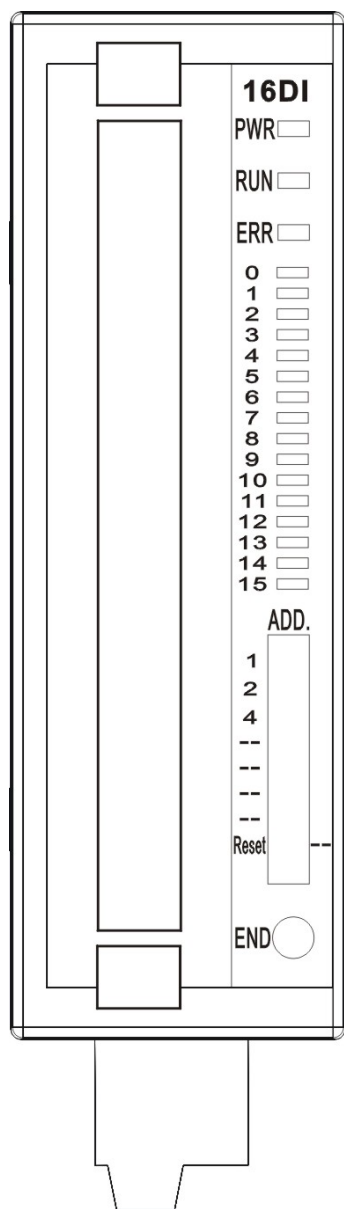
B(FR-net) : Communication line "B(Data-)"

F.G. : F.G. stands for Frame Ground (protective ground). It is optional. If you use this pin, it can reduce EMI radiation; improve EMI performance and ESD protection.

DI.COM : Common Power for NPN type.
Common Ground for PNP type.

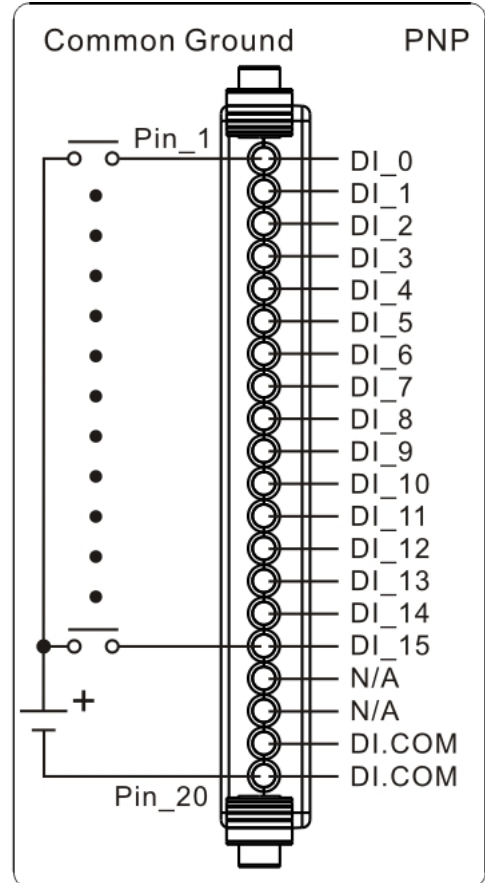
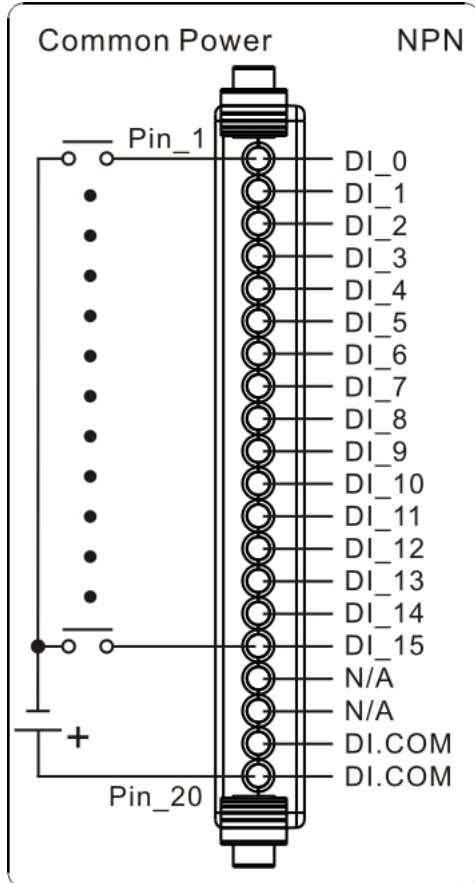
2.1. LED indicator:

There are several LED indicators located on the top side of the module. They are Power LED, Communication Run LED, Communication error LED, I/O LED and termination resistor LED. Users can understand the meaning directly from the label on the LED indicator. Note that the Communication Run LED and the Communication error LED illustrate whether the quality of communication is OK or not.



LED Mapping	
PWR	Power LED
RUN	Communication Run LED
ERR	Communication Error LED
0	CH _0 Status LED
1	CH _1 Status LED
2	CH _2 Status LED
3	CH _3 Status LED
4	CH _4 Status LED
5	CH _5 Status LED
6	CH _6 Status LED
7	CH _7 Status LED
8	CH _8 Status LED
9	CH _9 Status LED
10	CH _10 Status LED
11	CH _11 Status LED
12	CH _12 Status LED
13	CH _13 Status LED
14	CH _14 Status LED
15	CH _15 Status LED
END	Terminal resistor On

2.2. Pin Assignment and I/O wire connection



2.3. Address Setting:

■ Receiver address setting :

Since the FR-2053TA is a digital input module, the module can only configure the sender address (SA) by the dip-switch, as shown in the following figure. This means that the FR-2053TA can only transmit 16-bit data of the digital input circuit to the node of the corresponding receiver address. The configuration method is depicted in the following figure:

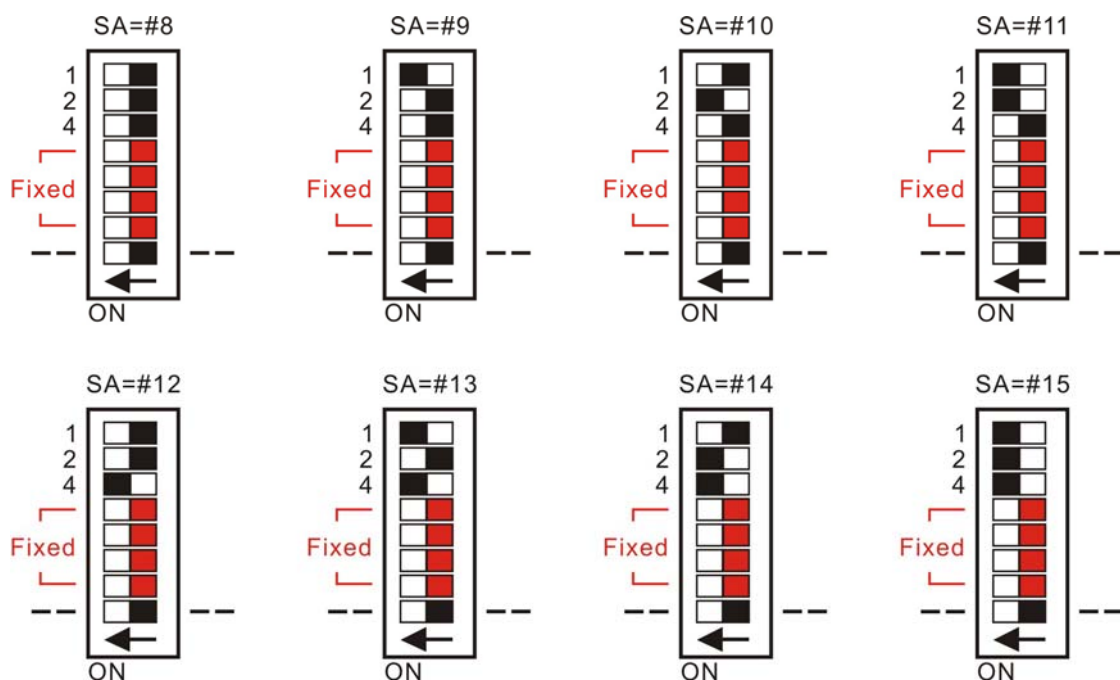


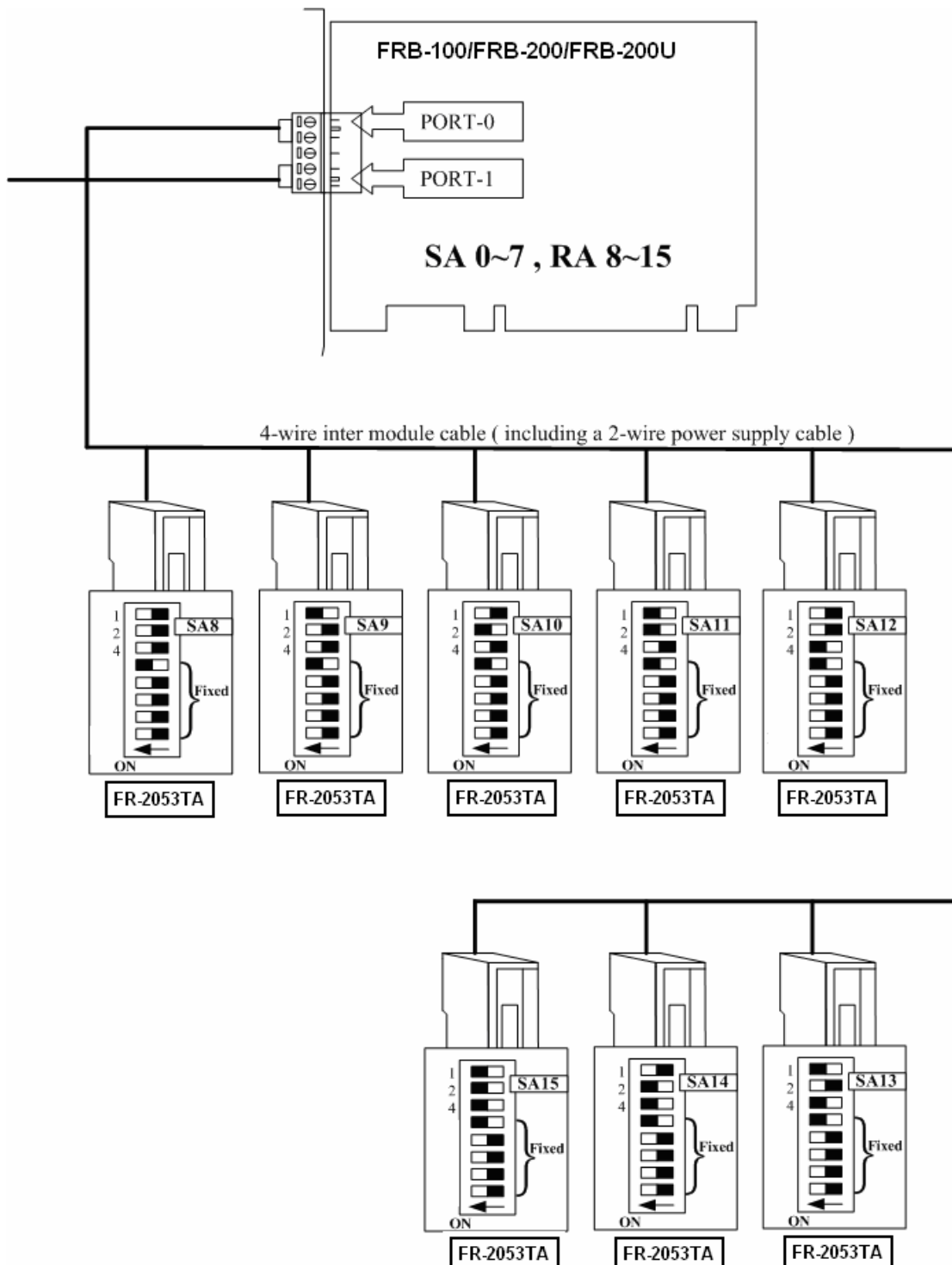
Figure 2.5 Receiver address setting.

2.4. FRnet Application Structure

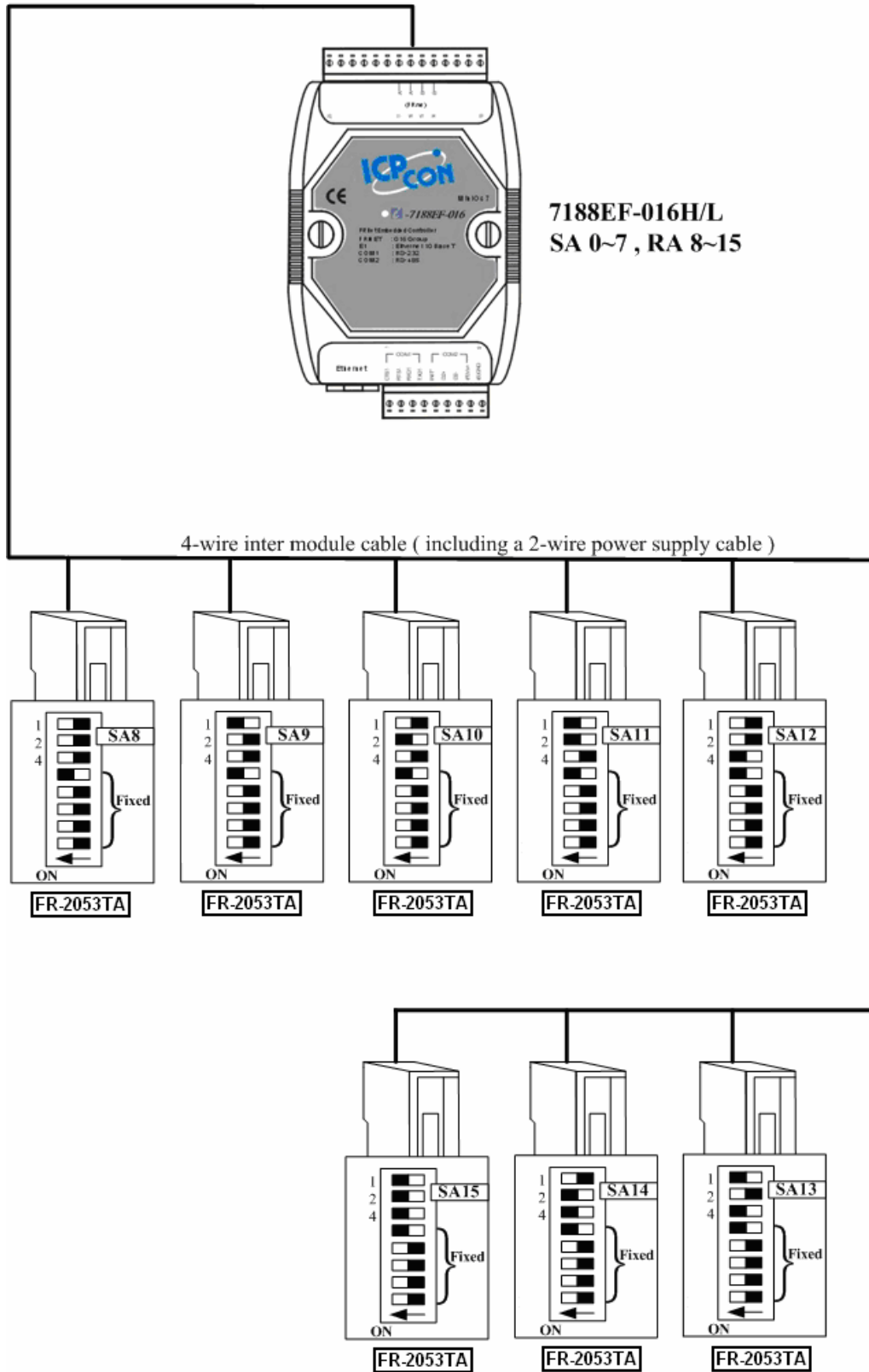
Within conventional communication methods in the control network system, the master (host) controller (CPU) must send a command with data to the slave module. Then it must wait for confirmation from the slave's response, which is based on a complicated and fixed transmission protocol. If there are many devices on the network, all the data transmission within the network must be controlled by the master (host) controller (CPU). Therefore, the performance of communication efficiency between the host controller and each of the devices will usually be deteriorated when more and more devices are added in. In contrast to this solution, our FRnet provides innovative data transmission method which adopts the hardware FRnet control chip to do communication broadcasting and gets rid of the software transmission protocol. It is easy to set up a reliable network merely by hardware setting both the "Sender Address" and "Receiver Address" of all the modules.

There are two FRnet host controllers provided by ICPDAS products, the FRB-100/200/200U and the 7188EF-016. The first one is a PCI interface add-on card, and the other one is an Ethernet embedded controller. Two possible application configurations are demonstrated as follows.

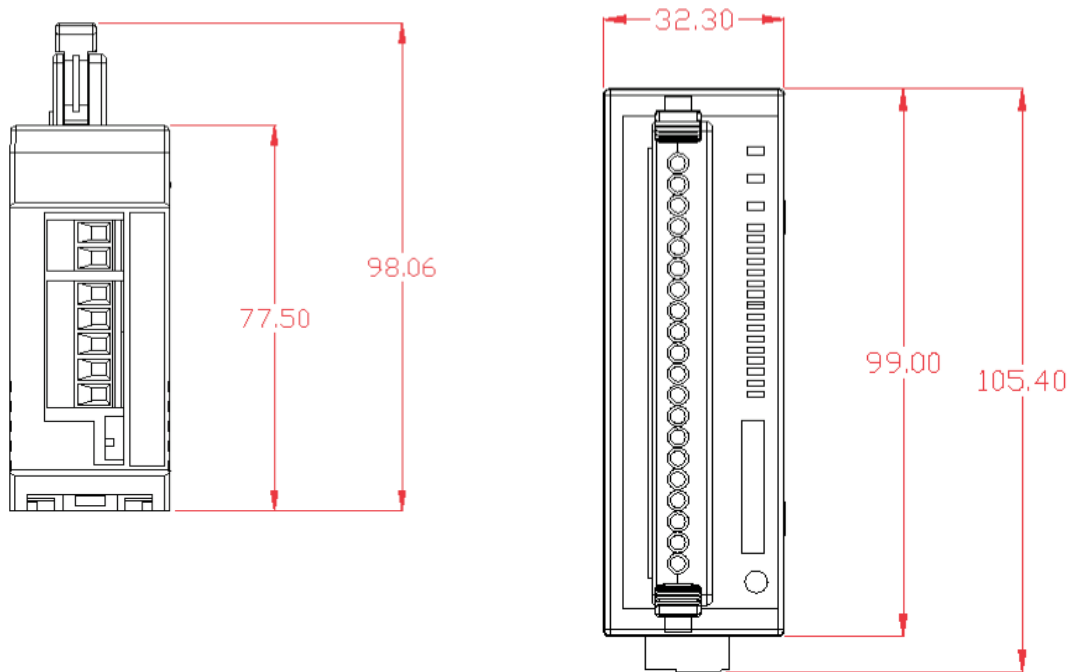
Case 1: If the PC-based FRB-200(U)/100 is used as the host controller.



Case 2: If the embedded controller i-7188EF-016 is used as the host controller.



2.5. Dimensions:



Unit: mm

