



PDS(M)-721(D) PPDS(M)-721(D)-MTCP

Programmable (1x RS-232 and 1x RS-485)
Serial-to-Ethernet Device Server with 6x DI and 7x DO

Features

- Incorporate Serial Devices in an Ethernet network
- "Virtual COM" Extend COM Ports
- Virtual COM supports 32-bit and 64-bit Windows 7 SP1/10/2012/2016
- Powerful Programmable Device Server
- Watchdog Timer suitable for use in harsh environments
- Power Reverse Polarity Protection
- Serial Port +/-4 kV ESD Protection Circuit
- Self-Tuner ASIC Controller on the RS-485 Port
- Built-in High Performance MiniOS7 from ICP DAS
- 5-digit LED Display (for versions with a display)
- Supports Modbus TCP to RTU/ASCII Gateway
- Supports D/I, Latched D/I and Counter Functions
- Supports PoE (IEEE 802.3af, Class 1) [PPDS(M)-721(D)-MTCP only]
- 10/100 Base-TX Ethernet, RJ-45 Port (Auto-negotiating, auto MDI/MDI-X, LED indicator)
- Palm-Sized with multiple Serial Ports
- PDSM/PPDSM is the Metal Case
- Low power consumption



System Specifications

Models	PDS-721 PDSM-721	PDS-721D PDSM-721D	PPDS-721-MTCP PPDSM-721-MTCP	PPDS-721D-MTCP PPDSM-721D-MTCP
CPU				
CPU	80186, 80 MHz or compatible			
SRAM	512 KB			
Flash Memory	Flash ROM: 512 KB; Erase unit is one sector (64 KB); 100,000 erase/write cycles			
EEPROM	16 KB; Data retention: 40 years; 1,000,000 erase/write cycles			
Built-in Watchdog Timer	Yes			
Communication Interface				
Non-isolated	COM1	RS-232 (Tx/D, Rx/D, RTS, CTS, GND)		
	COM2	RS-485 (D2+, D2-, GND)		
Ethernet	10/100 Base-TX, RJ-45 port (Auto-negotiating, auto MDI/MDI-X, LED indicator)			
PoE	-		IEEE 802.3af	
COM Port Formats				
Data Bit	7, 8: for COM1 and COM2			
Parity	None, Even, Odd, Mark, Space None parity is required when using 8 data bits and 2 stop bits on COM1/COM2.			
Stop Bit	1, 2: for COM1 ~ COM2			
Baud Rate	115200 bps max.			
LED Indicators				
5-digit 7 Segment	-	Yes	-	Yes
System	Red			
PoE	-		Green	
Power				
Protection	Power Reverse Polarity Protection			
Required Supply Voltage	+10 VDC ~ +30 VDC (non-regulated)		PoE or +12 VDC ~ +48 VDC (non-regulated)	
Power Consumption	2.0 W	2.7 W	2.2 W	2.9 W
Mechanical				
Flammability	Fire Retardant Materials (UL94-V0 Level)			
Dimensions (W x H x D)	(P)PDS: 72 mm x 123 mm x 35 mm · (P)PDSM: 102 mm x 125mm x 29 mm			
Installation	DIN-Rail or Wall mounting			
Casing	Metal for PDSM/PPDSM · Plastic for other			
Environment				
Operating Temperature	-25 °C ~ +75 °C			
Storage Temperature	-40 °C ~ +80 °C			
Humidity	5 ~ 90% RH, non-condensing			

Introduction

The PDS-700 series is a family of Programmable Device Servers, also known as "Serial-to-Ethernet gateway", that are designed for linking RS-232/422/485 devices to an Ethernet network. The user-friendly VxComm Driver/Utility allows users to easily turn the built-in COM ports of the PDS-700 series into standard COM ports on a PC. By virtue of its protocol independence, a small-core OS and high flexibility, the PDS-700 series is able to meet the demands of every network-enabled application.

The PDS-700 series includes a powerful and reliable Xserver programming structure that allows you to design your robust Ethernet applications in one day. The built-in, high-performance MiniOS7 boots the PDS-700 up in just one second and gives you fastest responses. It also works as a Modbus TCP to RTU/ASCII gateway that supports most SCADA/HMI communications based on the Modbus/TCP protocol.

The PPDS-700-MTCP series features true IEEE 802.3af-compliant (classification, Class 1) Power over Ethernet (PoE) using a standard category 5 Ethernet cable to receive power from a PoE switch like the NS-205PSE. The PDSM-700 is the PDS-700 with Metal Case (RoHS) and the PPDSM-700-MTCP is the PPDS-700-MTCP with Metal Case (RoHS). Metal Case version includes stronger protection than PDS-700 and PPDS-700-MTCP.

The PDS(M)-721(D) and PPDS(M)-721(D)-MTCP is equipped with 1 RS-232 port, 1 RS-485 port and DI/DO. The removable on-board terminal block connector is designed for easy and robust wiring in industrial situations.

Wiring

Input Type	DI Value as 0	DI Value as 1
Relay Contact	Relay ON 	Relay Off
	Voltage < 1V 	Voltage > 3.5V
Open Collector	Open Collector On 	Open Collector Off

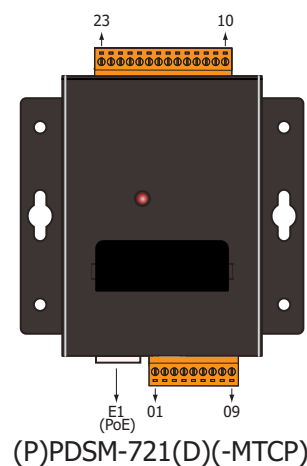
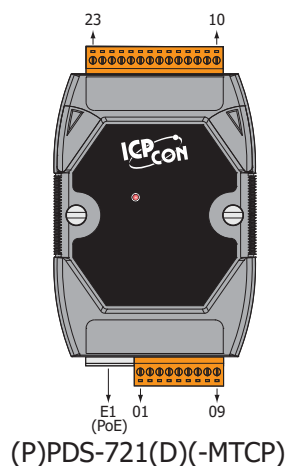
Output Type	DO Command as 1	DO Command as 0
Drive Relay	Relay ON 	Relay Off
	Resistance Load 	Resistance Load

I/O Specifications

Models	
Digital Output	
Output Channel	7
Output Type	Open Collector (Sink/NPN)
Load Voltage	30 VDC, max.
Load Current	100 mA, max.
Isolated Voltage	Non-isolated
Digital Input	
Input Channel	6
Input Type	Source (Dry Type), Common Ground
Off Voltage Level	+1 V max.
On Voltage Level	+3.5 ~ +30 V
Isolated Voltage	Non-isolated
Counters	Channels: 6
	Max. Count: 16-bit (65535)
	Max. Input Frequency: 100 Hz
	Min. Pulse Width: 5 ms

Pin Assignments

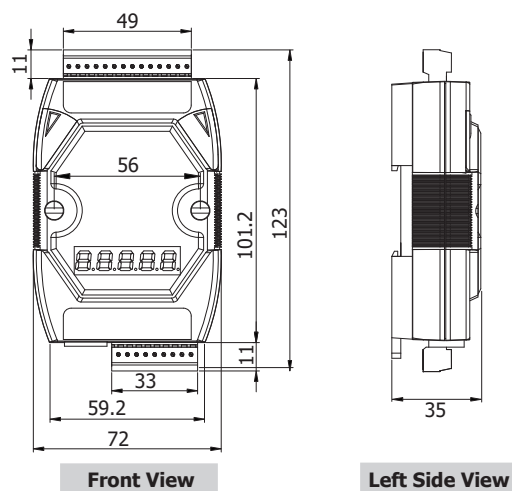
Terminal No.	Pin Assignment
E1	Link/Act 10/100M
COM1	01 CTS1
	02 RTS1
	03 RxD1
	04 TxD1
05	INIT*
COM2	06 D2+
	07 D2-
08	(R)+Vs
09	(B)GND



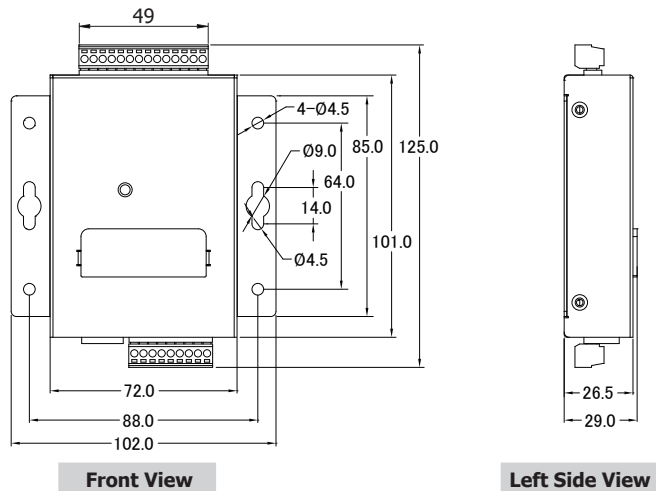
Terminal No.	Pin Assignment
DI	23 DI0
	22 DI1
	21 DI2
	20 DI3
	19 DI4
	18 DI5
DO	17 DO.PWR
	16 DO0
	15 DO1
	14 DO2
	13 DO3
	12 DO4
11	DO5
10	DO6

■ Dimensions (Units: mm)

----- (P)PDS-721(D) ▼



----- (P)PDSM-712(D)(-MTCP) ▼



■ Ordering Information

PDS-721 CR	Programmable (1x RS-232 and 1x RS-485) Serial-to-Ethernet Device Server with 6x DI and 7x DO (RoHS) Includes CA-0910 Cable
PDS-721D CR	Programmable (1x RS-232 and 1x RS-485) Serial-to-Ethernet Device Server with 6x DI, 7x DO and LED Display (RoHS) Includes CA-0910 Cable
PPDS-721-MTCP CR	Programmable (1x RS-232 and 1x RS-485) Serial-to-Ethernet Device Server with 6x DI, 7x DO, PoE and Modbus Gateway (RoHS) Includes CA-0910 Cable
PPDS-721D-MTCP CR	Programmable (1x RS-232 and 1x RS-485) Serial-to-Ethernet Device Server with 6x DI, 7x DO, PoE, Modbus Gateway and LED Display (RoHS) Includes CA-0910 Cable
PDSM-721 CR	Programmable (1x RS-232 and 1x RS-485) Serial-to-Ethernet Device Server with 6x DI and 7x DO (Metal Case) (RoHS) Includes CA-0910 Cable
PDSM-721D CR	Programmable (1x RS-232 and 1x RS-485) Serial-to-Ethernet Device Server with 6x DI and 7x DO and LED Display (Metal Case) (RoHS) Includes CA-0910 Cable
PPDSM-721-MTCP CR	Programmable (1x RS-232 and 1x RS-485) Serial-to-Ethernet Device Server with 6x DI, 7x DO, PoE and Modbus Gateway (Metal Case) (RoHS) Includes CA-0910 Cable
PPDSM-721D-MTCP CR	Programmable (1x RS-232 and 1x RS-485) Serial-to-Ethernet Device Server with 6x DI, 7x DO, PoE, Modbus Gateway and LED Display (Metal Case) (RoHS) Includes CA-0910 Cable

■ Accessories

CA-0903 CR	DB9 Female to 5-wire Cable [RS-232], 30cm (RoHS)
NS-205 CR	Unmanaged 5-port Industrial Ethernet Switch (RoHS)
NS-205PSE CR	Unmanaged 5-port 10/100 Mbps PoE (PSE) Ethernet Switch (RoHS)