



CAN-2055C

8-ch DI & 8-ch DO module of CANopen Slave

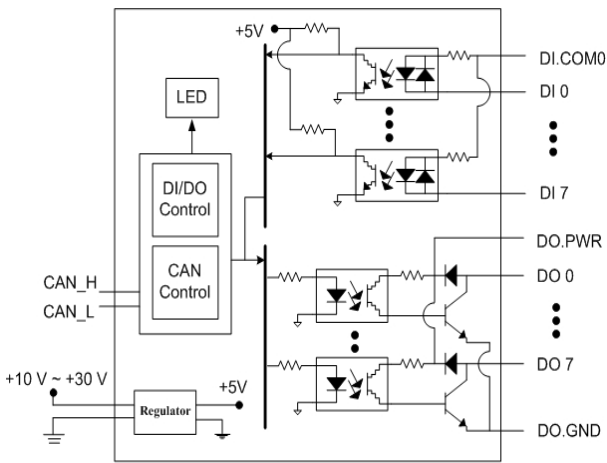
Features

- NMT Slave
- Providing Pair-Connect function
- Provide default EDS file
- ESD Protection 4 KV Contact for each channel
- Support Power supply 10 ~ 30V_{DC}
- Support CiA-301 v4.02, CiA-401 v2.1
- Support PDO Mapping

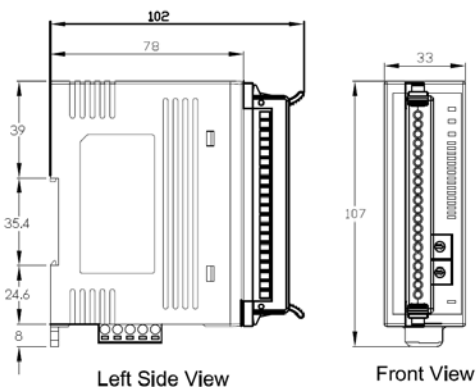
Introduction

CAN-2055C module follows the CiA-301 version 4.02 and CiA-401 version 2.1. You can access the digital I/O status and set the configuration by using standard CANopen protocol. CAN-2055C has passed the validation of the CiA CANopen Conformance Test tool. Therefore, you can use it with standard CANopen master easily by applying the EDS file. CAN-2055C has 8 isolated sink/source input channels and 8 isolated source output channels. It can be used to various applications, such as PNP, NPN, TTL, relay contact and so forth. By owing to the CANopen masters of ICP DAS, you can quickly build a CANopen network to approach your requirement.

Internal I/O Structure



Dimensions

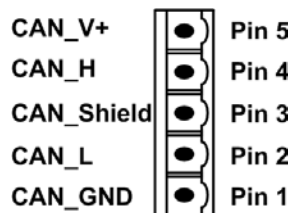


I/O Pin & Wire Connection

Terminal No.	Pin Assignment
01	DI.COM
02	DI0
03	DI1
04	DI2
05	DI3
06	DI4
07	DI5
08	DI6
09	DI7
10	DO0
11	DO1
12	DO2
13	DO3
14	DO4
15	DO5
16	DO6
17	DO7
18	DO.GND
19	DO.PWR
20	DO.PWR

Input Type	ON State LED ON Readback as 1	OFF State LED OFF Readback as 0
Relay Contact	Relay On	Relay Off
TTL/CMOS Logic	Voltage > 10 V	Voltage < 4 V
NPN Output	Open Collector On	Open Collector Off
PNP Output	Open Collector On	Open Collector Off
Output Type	ON State LED ON Readback as 1	OFF State LED OFF Readback as 0
Drive Relay	Relay Off	Relay On
Resistance Load		

Node ID & Baud rate DIP Switch



Baud rate Rotary switch

Switch Value	Baud Rate
0	10 kbps
1	20 kbps
2	50 kbps
3	125 kbps
4	250 kbps
5	500 kbps
6	800 kbps
7	1000 kbps

Specifications

CAN Interface	
Connector	5-pin screwed terminal block (CAN_GND, CAN_L, CAN_SHLD, CAN_H, CAN_V+)
Baud Rate (bps)	10 k, 20 k, 50 k, 125 k, 250 k, 500 k, 800 k, 1M□
Terminator Resistor	Switch for 120 Ω terminator resistor
Node ID	1~99 selected by rotary switch
Protocol	CANopen CiA-301 ver4.02, CiA-401 ver2.1□
No. of PDOs	10 Rx, 10Tx (Support Dynamic PDO)
PDO Mode	Event Triggered, Remotely requested, Cyclic and acyclic SYNC
Digital Input	
Channels	8 (Sink / Source)
On Voltage Level	+3.5 ~ +30 VDC
Off Voltage Level	+1 V _{DC} Max.
Response Time	250 us
ESD Protection	4 kV Contact for each channel
Digital Output	
Channels	8 (Source)
Load Voltage	10 ~ 30 V _{DC}
Load Current	700mA, each channel
Reaction Time	200 us
LED	
Round LED	PWR LED, RUN LED, ERR LED
Alarm LED	8 LEDs for DI and DO individually, and 1 LED as terminal resister indicator
Power	
Input range	Unregulated +10 ~ +30 VDC
Power Consumption	1.5 W
Mechanism	
Dimensions	32.3 mm x 99 mm x 77.5 mm (W x L x H)
Environment	
Operating Temp.	-25 ~ 75 °C
Storage Temp.	-30 ~ 80 °C
Humidity	10 ~ 90% RH, non-condensing

Application



Ordering Information

CAN-2055C CR	CANopen module of 8- channel Digital Input and 8- channel Digital Output
---------------------	--