



ET-8KP4-MTCP/ET-8KP8-MTCP

4/8-slot Intelligent Ethernet I/O Expansion Unit
(Modbus TCP Protocol)

Features

- Two Ethernet Ports for Daisy-Chain Topology
- Supports Modbus TCP
- Supports Modbus RTU/ASCII
- Supports Modbus TCP to RTU Gateway
- Auto Configuration
- 4/8 I/O Slots for I-8K and I-87K Series Modules



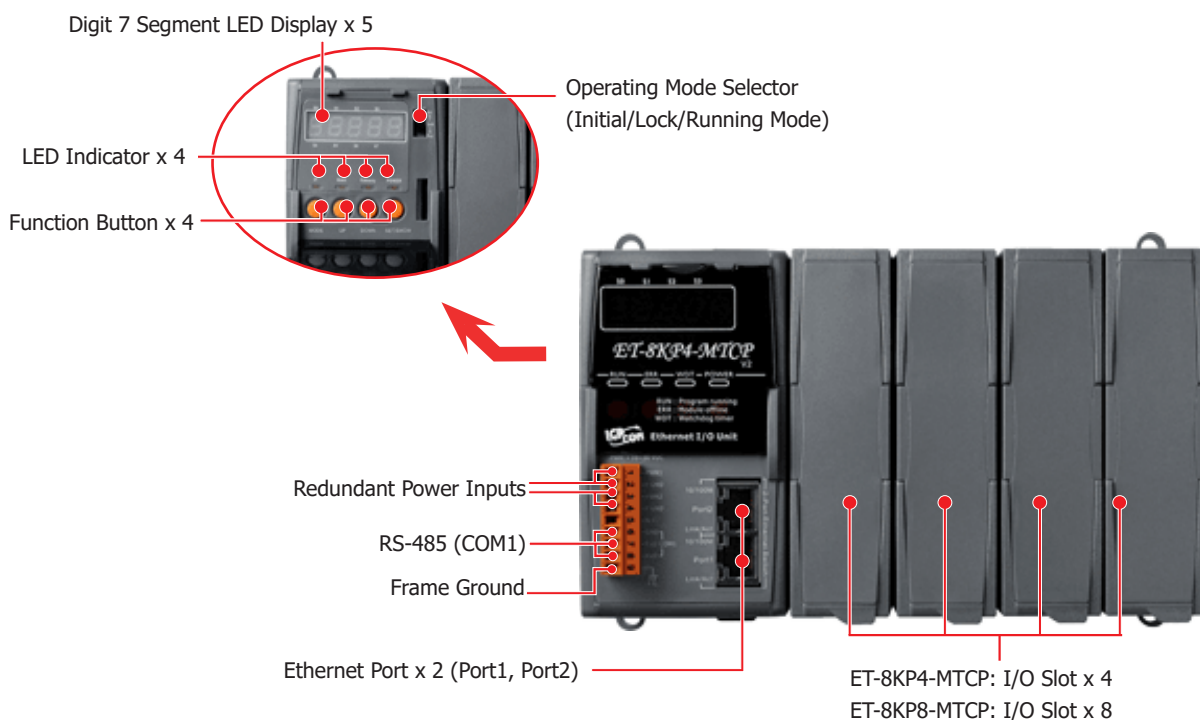
Introduction

ET-8KP4-MTCP/ET-8KP8-MTCP is a Modbus TCP I/O expansion unit to expand I-87K series I/O modules over the Ethernet for industrial monitoring and controlling applications. It offers two Ethernet switch ports for daisy-chain topology. The daisy-chain feature allows ET-8KP4-MTCP/ET-8KP8-MTCP to connect in series to each other or other Ethernet devices. Users can easily simplify the cabling and save installation space with the feature. It is designed to be used in harsh and noisy environment, so the hardware is manufactured with wide power input range (10 ~ 30 VDC), isolated power input and can operate under wide temperature (-25 ~ +75 °C).

There are more than 50 I/O modules supported with the unit, including analog input/output, digital input/output, DI counter modules. To simplify installation and maintenance of I/O modules, it provides many useful features, such as: auto configuration, LED indicators for fault detection, CPU watchdog to keep program alive, software watchdog to set safe values when communication is lost, programmable power on and safe values for safety.

Modbus is a very wide known protocol in the industrial manufacturing and environment monitoring fields. Many SCADA software, HMI and PLC has builtin driver to support Modbus devices. Besides, we also provide SDK on different platforms, such as Windows XP, Window CE 5.0/6.0, Linux, MiniOS7. Therefore, it is very easy to integrate remote I/O to customer's applications.

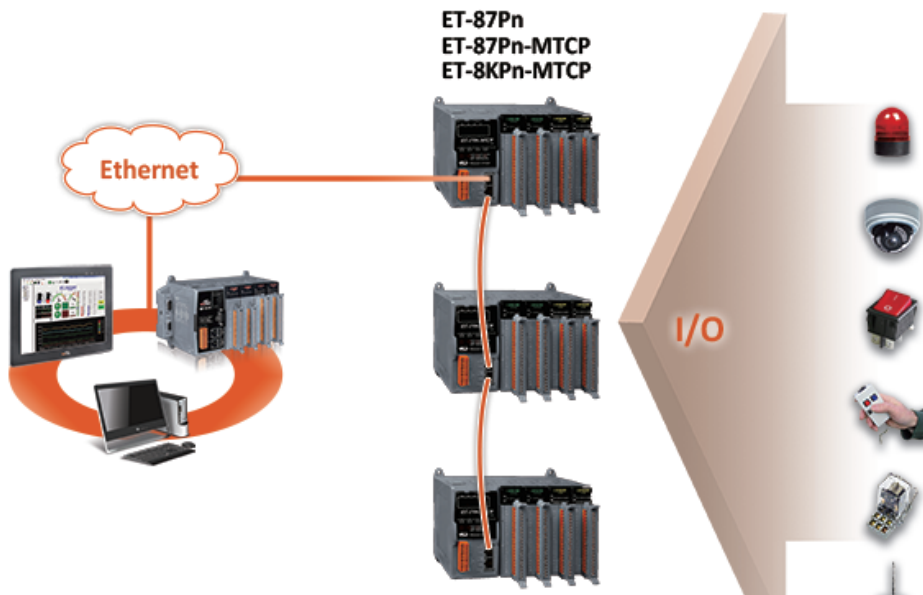
Appearance



Specifications

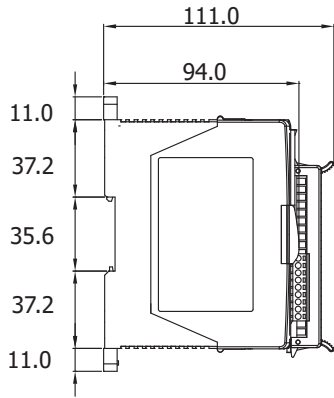
Models	ET-8KP4-MTCP	ET-8KP8-MTCP
Display		
Type	5 x Digit 7 Segment LED Display	
LED Indicators		
Status	1 x Run, 1x Module offline, 1 x WDT, 1 x Power	
I/O Expansion		
I/O Type	I-87K, I-8K Series	
Slots	4	8
COM Ports		
Ports	1 x RS-232 (Console)	
Protocol	Modbus RTU/ASCII Slave	
HMI		
Push Button	4	
Ethernet		
Ports	2 x RJ-45, 10/100 Base-TX	
Protocol	Modbus TCP Slave, Modbus TCP to RTU Gateway	
Power		
Input Range	+10 ~ 30 VDC (1 kV Isolated)	
Redundant Power Inputs	Yes	
Consumption	2.0 W	2.4 W
Mechanical		
Dimensions (W x L x H)	188 x 132 x 111 mm	312 x 132 x 111 mm
Installation	DIN-Rail, Wall mounting	
Environmental		
Operating Temperature	-25 ~ +75 °C	
Storage Temperature	-30 ~ +75 °C	
Humidity	10 ~ 90 % RH, Non-condensing	

Applications

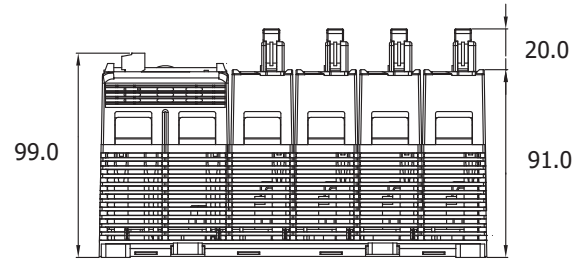


■ Dimensions (Units: mm)

ET-8KP4-MTCP/ET-8KP8-MTCP

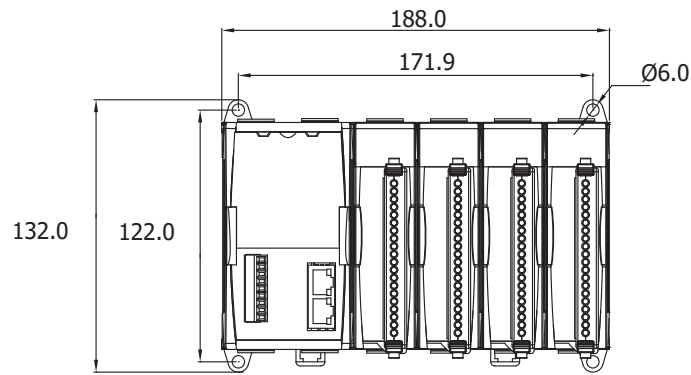


Left Side View



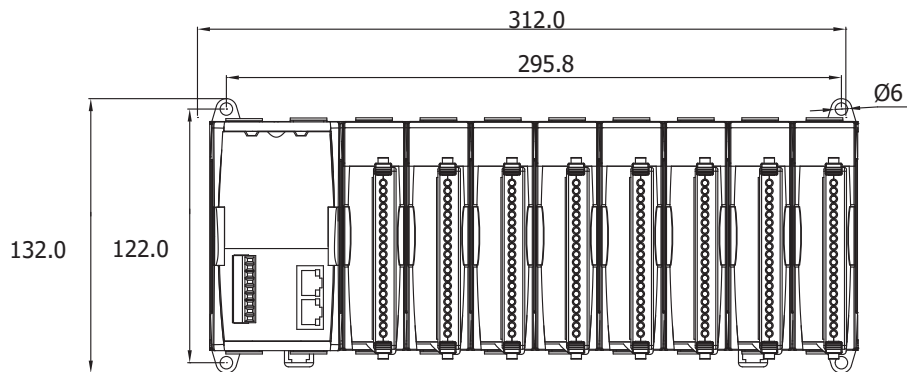
Bottom View

ET-8KP4-MTCP



Front View

ET-8KP8-MTCP



Front View

■ Ordering Information

ET-8KP4-MTCP CR	4-slot Intelligent Ethernet I/O Expansion Unit (Modbus TCP Protocol) (RoHS)
ET-8KP8-MTCP CR	8-slot Intelligent Ethernet I/O Expansion Unit (Modbus TCP Protocol) (RoHS)