



iSN-812-MTCP

IR temperature sensing module with PoE Ethernet port

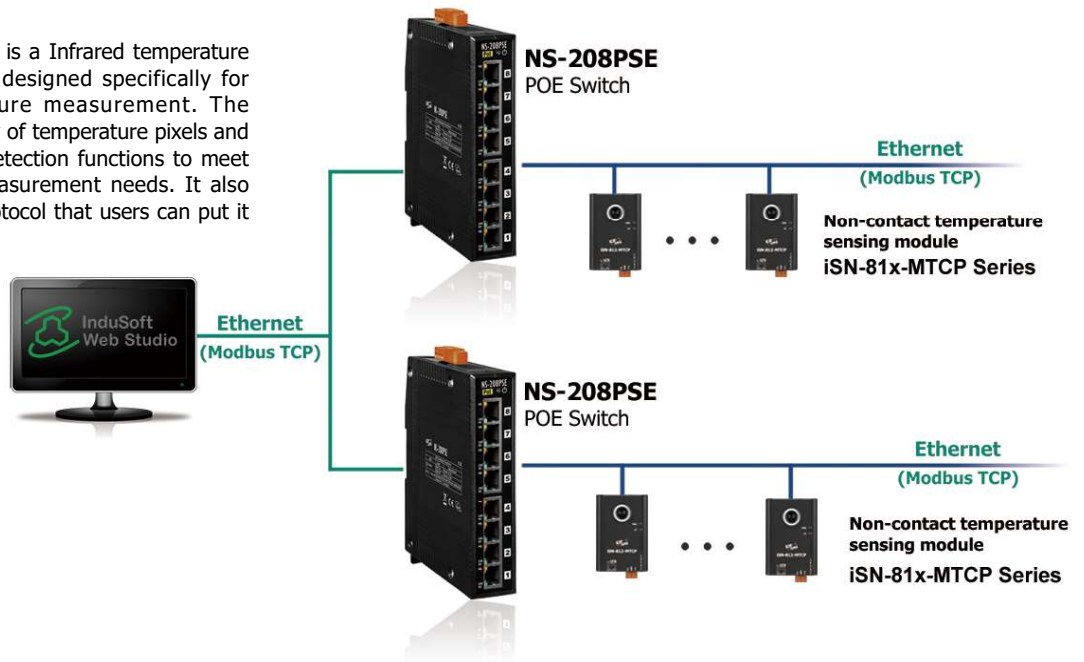
Features

- Non-contact temperature measurement
- Temperature threshold detection
- Support Modbus TCP protocol
- Offers Wall-mount, magnetic and universal joint for installation



Introduction

The iSN-81x-MTCP series is a Infrared temperature sensing module that is designed specifically for non-contact temperature measurement. The module provides a variety of temperature pixels and temperature threshold detection functions to meet various temperature measurement needs. It also provides Modbus TCP protocol that users can put it into SCADA system very easily.



Applications

- Temperature monitoring
- Temperature trend analysis
- Big data analysis
- Predictive maintenance

Realtime Monitoring of Panel Temperature

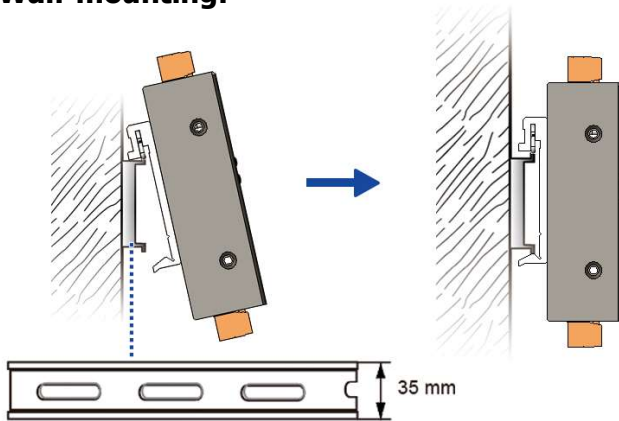
Non-contact temperature sensing module
iSN-81x-MRTU Series

Temperature data concentrator with Touch panel
VPD-1xx-IRT Series

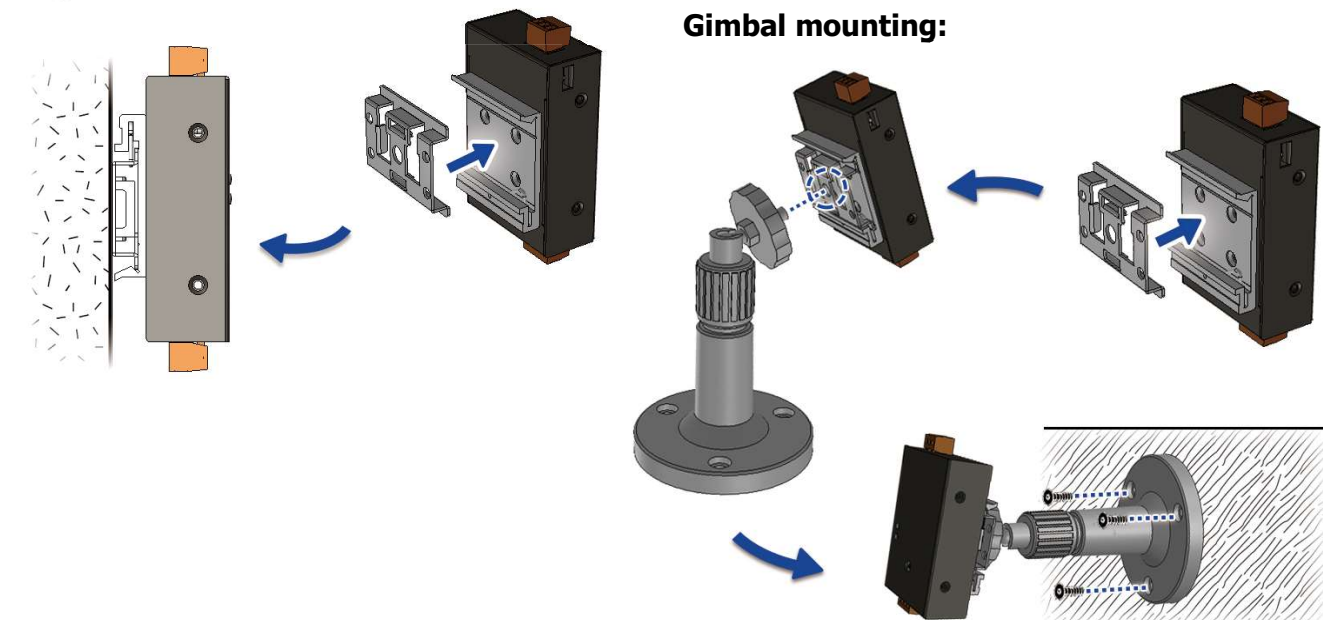
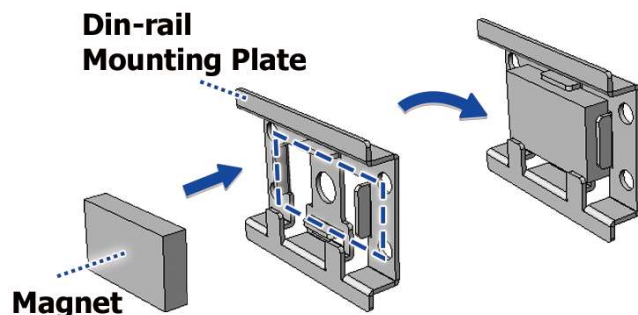


Pin Assignments

Wall-mounting:



Magnetic mounting:



System Specifications

Model	iSN-812-MTCP
Temperature Measurement	
Range	40°C ~ 300°C
Accuracy	±5°C Max.
Resolution	0.1°C
Ethernet	
Ports	1 x RJ-45, 10/100Base-T(X)
PoE	Yes
Protocol	Modbus TCP
Power	
Input Range	+30 VDC
Consumption	1.8W
Powered from PoE	Yes, IEEE 802.3af, Class1
Mechanical	
Installation	Wall-mounting or magnetic mounting, gimbal mounting
Dimensions (mm)	52 x 95 x 27 (W x H x D)
Environment	
Operating Temperature	-10 ~ +70°C
Storage Temperature	-20 ~ +80°C
Humidity	10% ~ 95% RH, Non-condensing

Ordering Information

iSN-812-MTCP CR	Modbus TCP, IR temperature sensing module; 768 Pixels (RoHS)
------------------------	--

Accessories

ASO-0054 CR	Universal Joint Bracket (RoHS)
ASO-0060 CR	Magnetic Base Universal Joint Bracket (RoHS)
WM01-M CR	44 mm Magnetic Mounting Kit (RoHS)