



NSM-210C

8+2G Combo Port Gigabit Unmanaged Industrial Ethernet Switch

Features

- Up to 2 Gigabit uplinks for high bandwidth data aggregation
- SFP socket for Easy and Flexible Fiber Expansion
- Supports Auto Negotiation and Auto MDI/MDI-X
- Supports Dual +12 ~ 48 VDC power input and 1 relay output



Introduction

The NSM-210C is 8 Port 10/100 Base copper and 2 Gigabit fiber optic/copper combo port Ethernet Switch, Supports Auto Negotiation, Auto MDI/MDI-X, high-speed(100 Mbps) and high-distance transmissions. Apart from this, NSM-210C supports dual power and provides a wide +12 VDC ~ +48 VDC power range to fit all the common power standards found in industrial automation, without external power converters.

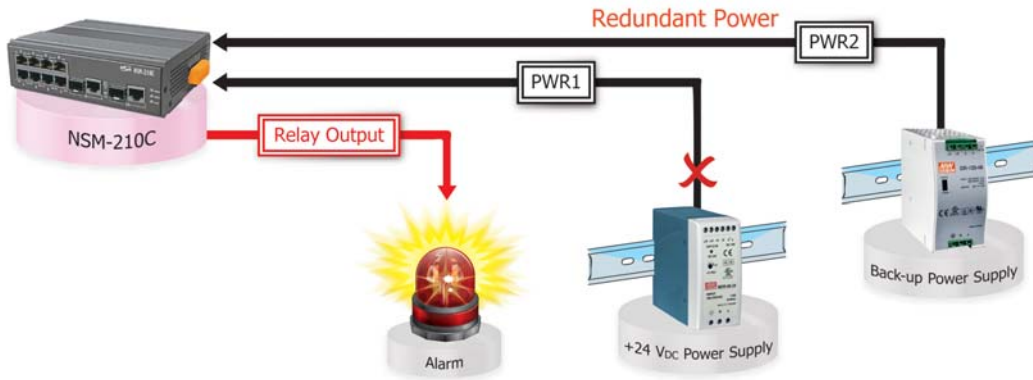
Specifications

LED Indicators	
Status	PWR1, PWR2, FAULT, SFP & Gigabit Act, 8-Port 10/100 Link and Act
Ethernet	
Ports	8 x RJ-45, 10/100Base-T(X) 2 x RJ45 /SFP Slot Combo, 10/100/1000Base-T(X)
Standards	IEEE 802.3 for 10Base-T IEEE 802.3u for 100Base-TX IEEE 802.3ab for 1000Base-T IEEE 802.3x for Flow Control
MAC Table	8 K
Frame Buffer Memory	1 Mbit
Flow Control	IEEE 802.3x flow control, back pressure flow control
Isolation	1500 Vrms 1 minute
Fiber	
Ports	2 x 1000 Mbps SFP Fiber Module slots
Power	
Reverse Polarity Protection	Yes
Input Range	+12 ~ +48 VDC (Non-isolated)
Redundant Power Inputs	Yes
Consumption	0.15A @ 24VDC idle without loading; 0.25A @ 24VDC with full loading
Alarm Output	Yes, Relay 1 A @ 30 VDC
Mechanical	
Casing	Metal
Dimensions (mm)	DIN-rail mounting: 51 x 164 x 129 (W x L x H) Wall mounting: 51 x 202 x 122 (W x L x H)
Installation	DIN-rail mounting or wall mounting (optional)
Environment	
Operating Temperature	-25 °C ~ +75 °C
Storage Temperature	-40 °C ~ +85 °C
Humidity	10% ~ 90% RH, non-condensing

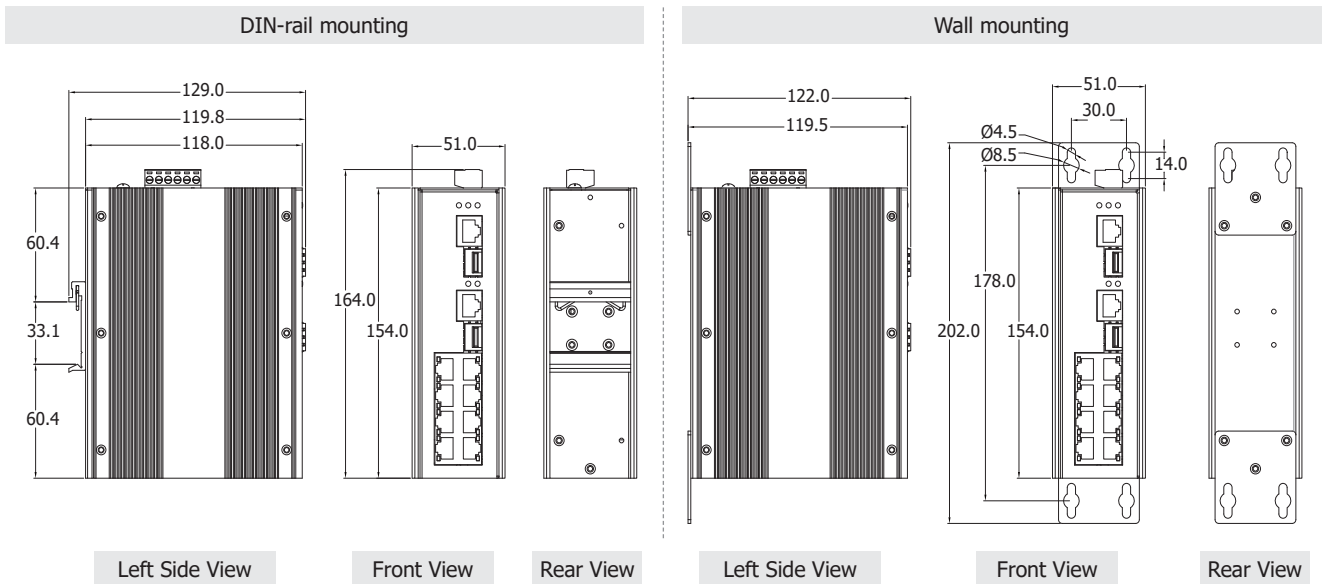
Redundant Power Input

Both power inputs can be connected simultaneously to live DC power sources.

If one power source fails, the other live source will act as a backup, and automatically supplies all of NSM-210C series power needs.



Ordering Information



Ordering Information

NSM-210C CR	8+2G Combo Port Gigabit Unmanaged Industrial Ethernet Switch (RoHS)
--------------------	---

Accessories

ASO-0015 CR	Wall Mount Kit (W:28mm) (RoHS)	
SFP-1G85M-SX CR	1000Base-SX, Multi-mode 850 nm, 0.5 km SFP module (RoHS)	
SFP-1G13M-SX2 CR	1000Base-SX2, Multi-mode 1310 nm, 2 km SFP module (RoHS)	
SFP-1G13S-LX CR	1000Base-LX, Single-mode 1310 nm, 10 km SFP module (RoHS)	
SFP-1G13S-LX20 CR	1000Base-LX20, Single-mode 1310 nm, 20 km SFP module (RoHS)	