
I-2533 User Manual

Warranty

All products manufactured by ICP DAS are under warranty regarding defective materials for a period of one year from the date of delivery to the original purchaser.

Warning

ICP DAS assumes no liability for damages resulting from the use of this product. ICP DAS reserves the right to change this manual at any time without notice. The information furnished by ICP DAS is believed to be accurate and reliable. However, no responsibility is assumed by ICP DAS for its use, or for any infringements of patents or other rights of third parties resulting from its use.

Copyright

Copyright 1997 by ICP DAS. All rights are reserved.

Trademark

The names used for identification only may be registered trademarks of their respective companies.

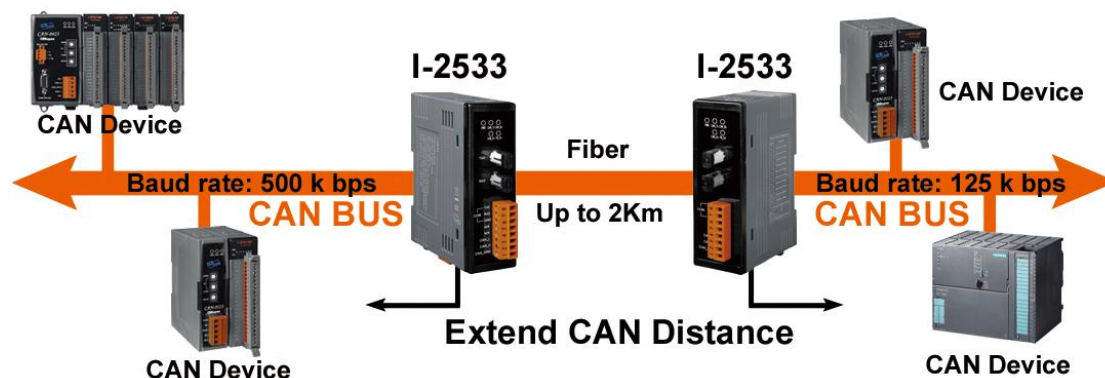
Tables of Content

Tables of Content.....	2
1 Introduction.....	3
1.1 Specifications.....	4
1.2 Features.....	5
2 Technical data	6
2.1 Block Diagram.....	6
2.2 Appearance	7
2.3 Pin Assignment.....	8
2.4 Rotary Switch	9
2.5 LED Indicator	10
2.6 Terminator Resistor Setup	12
2.7 Wire Connection	14
3 Network Deployment	15
3.1 Driving Capability	15
3.2 Fiber Selection & Fiber Length.....	16
3.3 Filter & User-defined Baud Rate Configuration	17
3.4 Baud Rate Register Configuration	22
3.5 Update Firmware.....	24
4 Dimension	25

1 Introduction

I-2533 is a local CAN bridge used to establish a connection between two CAN bus system via fiber optic transmission medium. In order to solve the problem between CAN and fiber transmission medium, I-2533 is specially designed for converting the electrical CAN bus signal to fiber optic cables. Not just like I-2533, I-2533 has three more important features.

First, the transmission distance limitation of the CAN bus system will not reduced because of CAN baud rate. It means that the total network distance can be extended. Second, the bus error on one CAN network will not affect the operation of another CAN network. Finally, the two CAN network can communication with each other by using different CAN baud rate for highly flexibility. Besides, I-2533 provides the utility tool for user-defined baud rate and filter configuration. By using this tool, it is allowed to have user-defined baud rate and message filter. When users use the I-2533 on two CAN network with different CAN baud rate, it may be useful to reduce the bus loading on the network which has low baud rate.



1.1 Specifications

CAN Interface	
Connector	Screwed terminal block (CAN_GND, CAN_L, CAN_H)
Baud Rate (bps)	10 k ~ 1 M
Transmission Distance (m)	Depend on baud rate
Isolation	2500 Vrms
Terminator Resistor	Switch for 120Ω terminator resistor
Specification	ISO-11898-2, CAN 2.0A and CAN 2.0B
Fiber Interface	
Connector	ST (Multi-mode)
Wave Length	850 nm
Fiber Cable	50 / 125 μm , 62.5 / 125 μm, 100 / 140 μm (62.5 / 125μm is recommended)
Transmission Distance (m)	2 km max (in 62.5 / 125 μm fiber cable)
UART Interface	
COM 1	RS-232 (configuration only)
COM 1 Connector	Screwed terminal block (RxD, TxD, GND)
Baud Rate (bps)	115200
Data bit	8
Stop bit	1
Parity	None
LED	
Round LED	PWR LED, CAN_Tx LED, CAN_Rx LED, CAN_Err LED, FB_Err LED
Power	
Power supply	Unregulated +10 ~ +30 V _{DC}
Protection	Power reverse polarity protection, Over-voltage brown-out protection
Power Consumption	3 W
Mechanism	
Installation	DIN-Rail
Dimensions	32.3mm x 77.5mm x 99.0mm (W x L x H)
Environment	
Operating Temp.	-25 ~ 75 °C
Storage Temp.	-40 ~ 80 °C
Humidity	5 ~ 95% RH, non-condensing

1.2 Features

- Fiber Port: ST (Multi-mode)
- Maximum transmission distance up to 2 km at any CAN baud rate
- 82C250 CAN transceiver
- 2500 Vrms isolation on the CAN side
- Support both CAN 2.0A and CAN 2.0B
- Fully compatible with the ISO 11898-2 standard
- Rotary switch for CAN baud rate configuration
- Build-in switch for 120 Ω terminator resistor
- Up to 100 CAN nodes on each channel
- Removable terminal block, Mount easily on DIN-Rail
- Allow user-defined baud rate
- Fiber broken line detection
- Utility tool for message filter configuration

2 Technical data

2.1 Block Diagram

The following figure is the block diagram illustrating the functions of the I-2533 module.

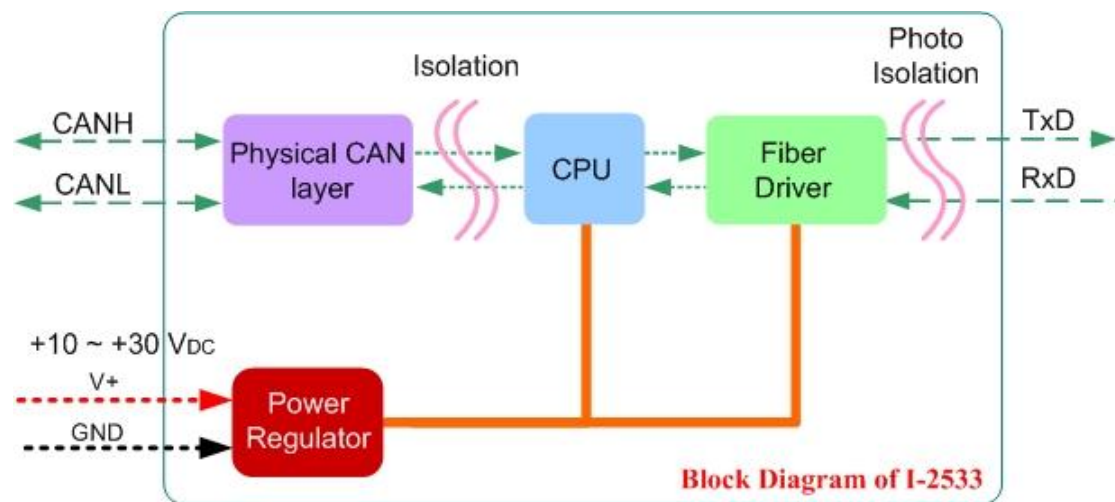


Figure 2-1 Block Diagram of I-2533

2.2 Appearance

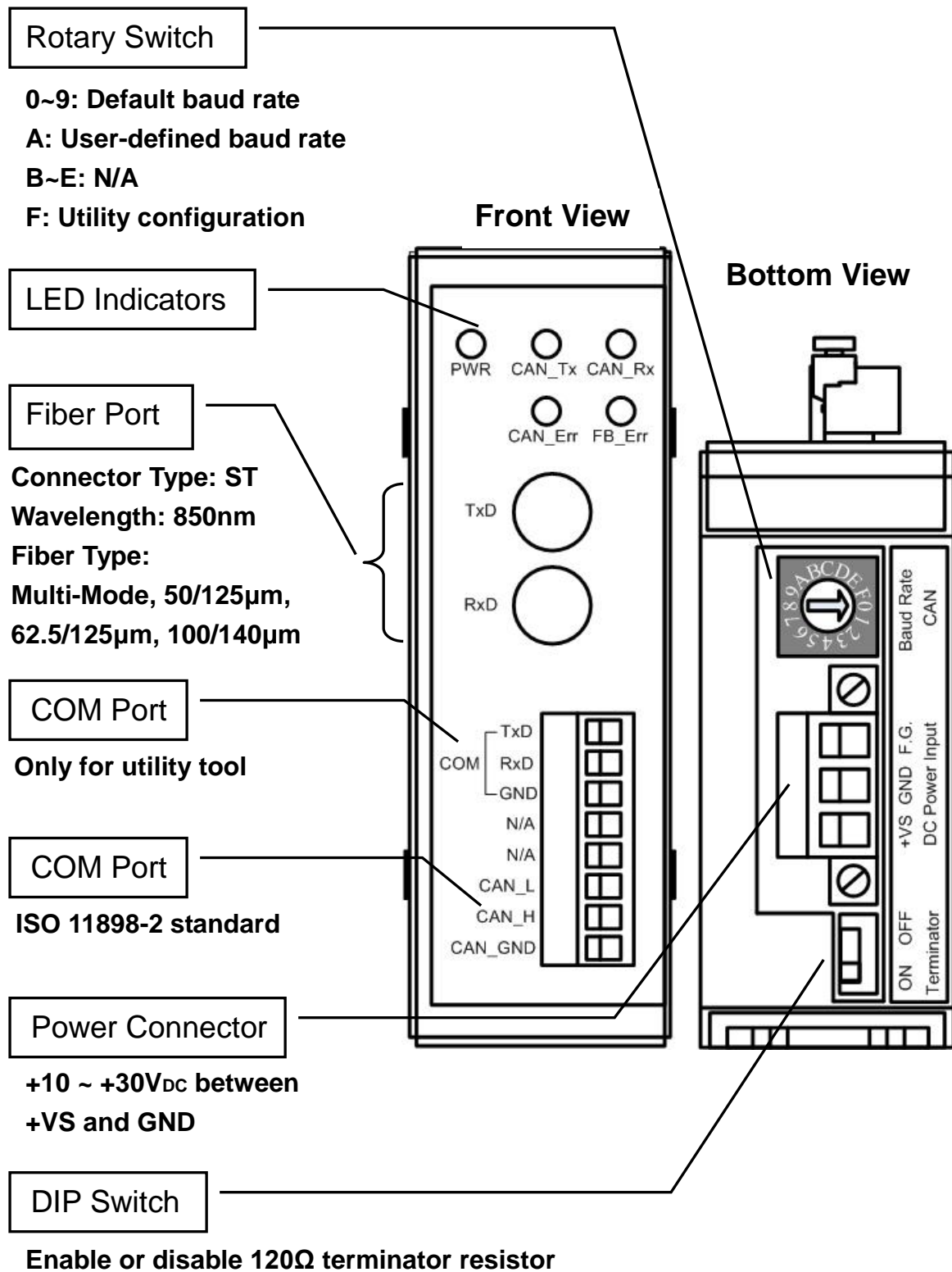


Figure 2-2 Appearance of I-2533

2.3 Pin Assignment

The pin assignments of COM port, CAN port, fiber port and power connector of I-2533 are shown in the following tables.

Table 2-1 Pin Assignment

Port	Name	Description
COM	TXD	TXD pin of RS-232 port.
	RXD	RXD pin of RS-232 port.
	GND	SG (or GND) pin of RS-232 port.
CAN	CAN_L	CAN_Low, signal line of CAN port.
	CAN_H	CAN_High, signal line of CAN port.
	CAN_GND	CAN_Ground, ground voltage level of CAN port.
Fiber	TXD	Transmit optic data.
	RXD	Receive optic data.
Power	+VS	Voltage Source Input. +10V _{DC} ~ +30V V _{DC} .
	GND	Power Ground.
	F.G.	Frame Ground.

Sometimes, the CAN_GND voltage level of different CAN devices on a CAN bus system are not equal. In this case, it could cause some problems and derogate the system stability. There is one way to relieve this situation; users can connect the CAN_GND of different CAN devices with each other to balance the voltage level of CAN_GND.

Electronic circuits are always influenced by different levels of Electro-Static Discharge (ESD), which become worse in a continental climate area. F.G. provides a path for conducting the ESD to the earth ground. Therefore, connecting the F.G correctly can enhance the capability of the ESD protection and improve the module's reliability.

Wiring of CAN_GND and F.G. is not necessary; users can modify the configuration of wiring according to real applications.

2.4 Rotary Switch

When users would like to set the CAN baud rate or message filter of I-2533, use the rotary switch on the upper of the power connector to achieve this purpose. Users can find it on the top of the power connector.

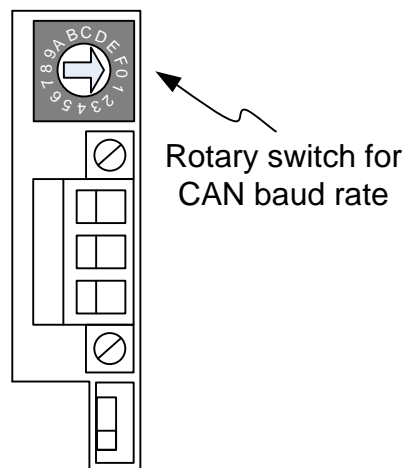


Figure 2-3 Location of Rotary Switch

There are 16 sections on the rotary switch. They are described on the following table.

Table 2-2 Description of Rotary Switch

Switch Value	Description
0	Set baud rate to 10 kbps
1	Set baud rate to 20 kbps
2	Set baud rate to 50 kbps
3	Set baud rate to 80 kbps
4	Set baud rate to 100 kbps
5	Set baud rate to 125 kbps
6	Set baud rate to 250 kbps
7	Set baud rate to 500 kbps
8	Set baud rate to 800 kbps
9	Set baud rate to 1 Mbps
A	Set baud rate to user-defined baud rate which is configured by I-2533 utility.
B~D	Not-available
E	Firmware update mode.
F	Set I-2533 into configuration mode.

2.5 LED Indicator

There are 5 LEDs on the I-2533. One for power indication, three for CAN bus indication and one for fiber indication. The LED assignment and description are shown as follows.

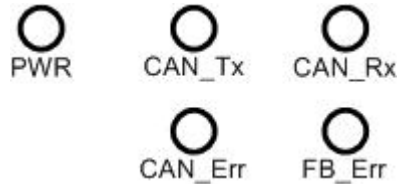


Figure 2-4 LED Assignment of I-2533

LED Name	Color	Description
PWR	Red	When power on the I-2533, this LED is turned on.
CAN_Tx	Green	When the I-2533 sends one CAN message to CAN bus, this LED flashes once. Therefore, if bus loading is heavy, the LED will be always on.
CAN_Rx	Green	When the I-2533 receives one CAN message from CAN bus, this LED flashes once. Therefore, if bus loading is heavy, the LED will be always on.
CAN Err	Red	<ol style="list-style-type: none"> 1. If the I-2533 detects the bus-off status on the CAN bus, this LED is always on. At this moment, the I-2533 clear all CAN messages stored in the I-2533 transmission buffer. When the I-2533 can receive or transmit one CAN message successfully, the error status is clear and the LED is turned off if there is no error happened. 2. If the I-2533 can't send CAN messages successfully because the bus connector is off or some errors happen, this LED flashes five times per second. In this case, the I-2533 will keep all CAN messages in the transmission buffer until the buffer is overflow. When the I-2533 can receive or transmit one CAN message successfully, the error status is clear and the LED is turned off if there is no error happened.

		<p>3. If the CAN transmission buffer is overflow, this LED flashes once per second. If the I-2533 sends all the CAN messages sotred in the transmission buffer in to the CAN network, the LED is turned off if there is no error happened.</p>
Fiber Err	Red	<p>1. If the I-2533 detects the RXD line of the fiber is off, this LED is always on.</p> <p>2. If the fiber data buffer is overflow, this LED flashes once per second. If the I-2533 sends all the data sotred in the fiber data buffer, the LED is turned off if there is no error happened.</p>

Table 2-3 LED Description

2.6 Terminator Resistor Setup

In order to minimize the reflection effects on the CAN bus line, the CAN bus line has to be terminated at both ends by two terminator resistors as in the following figure. According to the ISO 11898-2 spec, each terminator resistor is 120Ω (or between 108Ω~132Ω). The bus topology and the positions of these terminator resistors are shown as following figure.

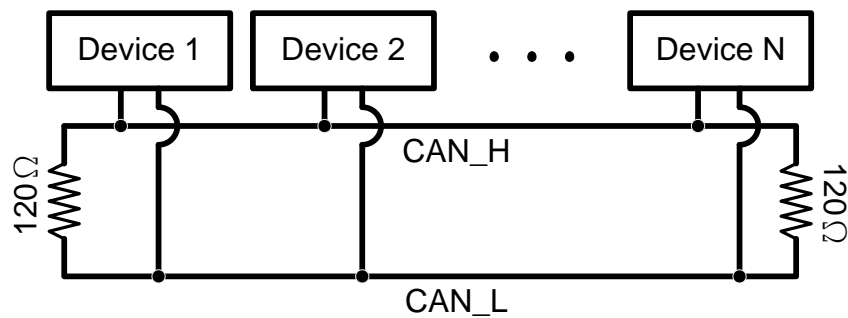


Figure 2.5 CAN bus network topology

Each I-2533 includes one build-in 120Ω terminator resistor, users can decide if it is enabled or not. The DIP switch for terminator resistor is under the power connector.

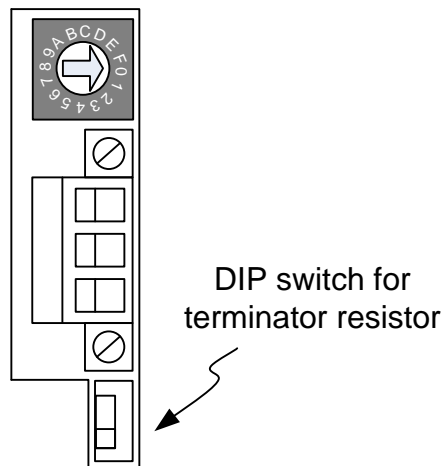


Figure 2-6 Location of Terminator Resistor DIP Switch

The following DIP switch statuses present the condition if the terminator resistor is active (default) or inactive.

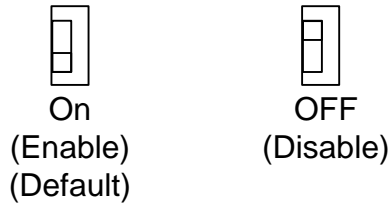


Figure 2-7 Adjustment of Terminal Resistance

Generally, if your application is as follows, we recommend you to enable the terminator resistor.

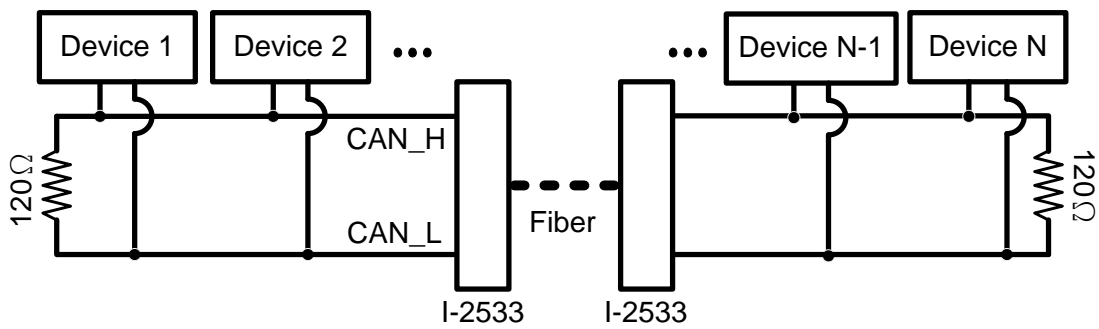


Figure 2-8 Application 1

If your application is like the structure as follows, the terminator resistor is not needed.

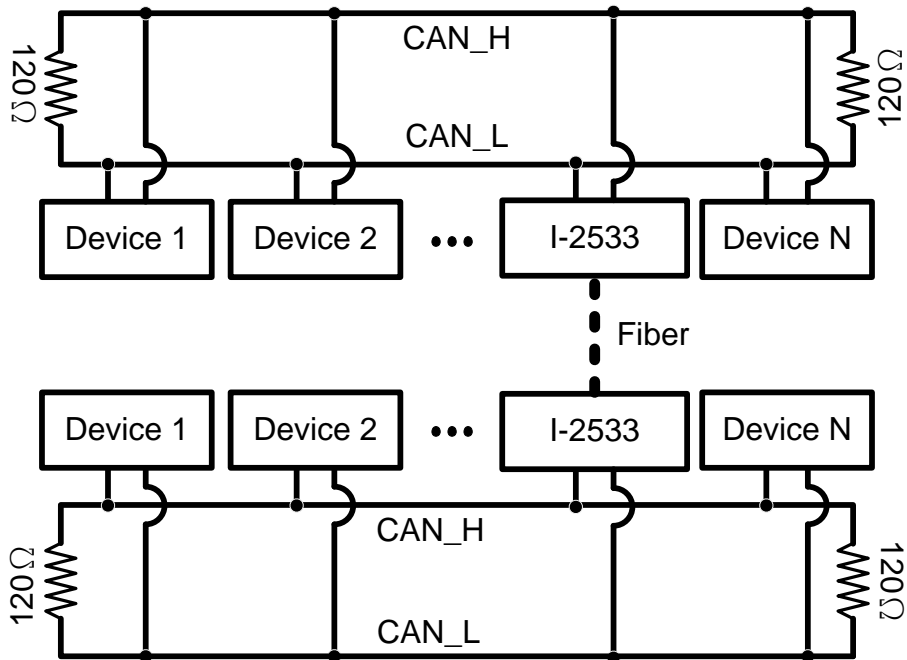


Figure 2-9 Application 2

2.7 Wire Connection

The wire connection of I-2533 is displayed below.

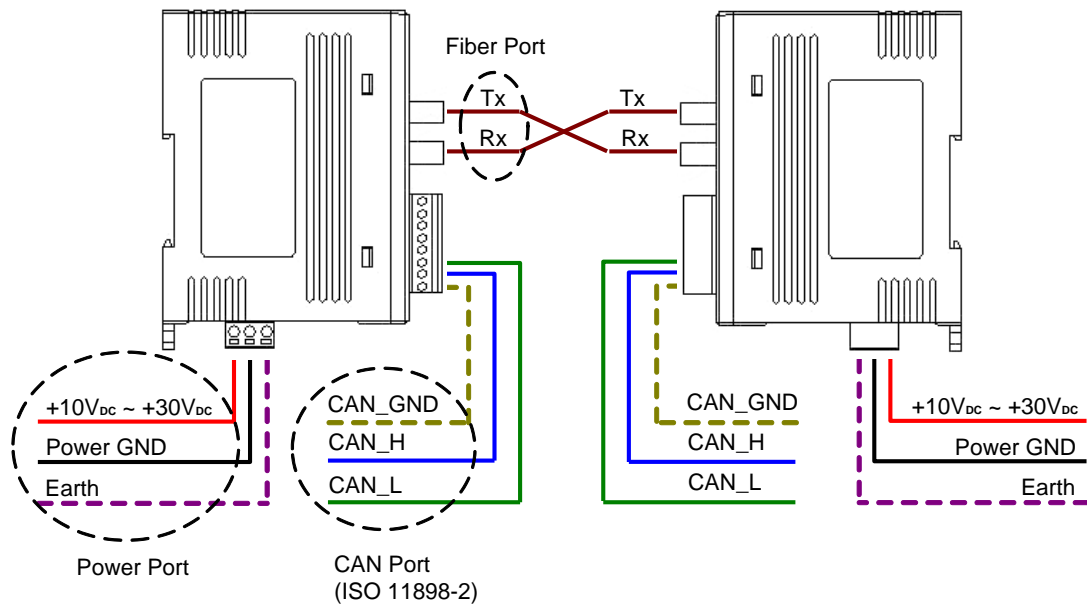


Figure 2-10 Wire Connection of I-2533

The I-2533 has a metallic board attached to the back of the plastic basket. This metallic board and the F.G. pin of power connector are interconnected inside the I-2533. When users mount the I-2533 onto a metal DIN-Rail, users can connect the DIN-Rail to Earth Ground to replace connecting the F.G. pin of power connector.

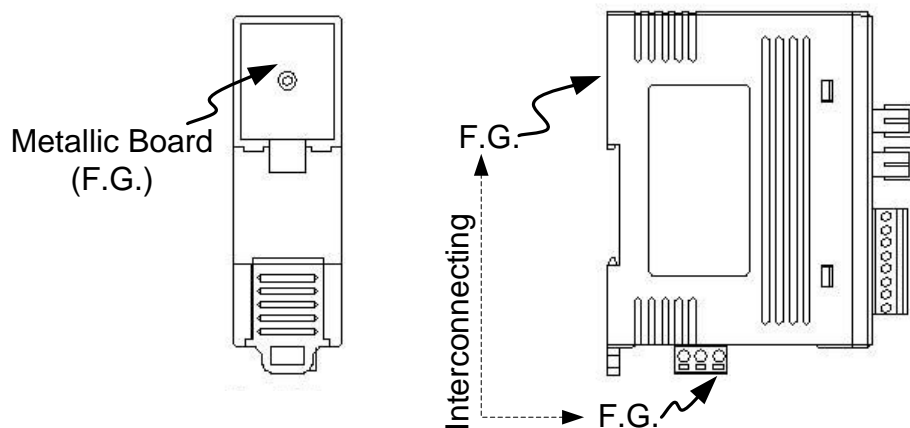


Figure 2-11 Metallic Board at Back of I-2533

3 Network Deployment

3.1 Driving Capability

Before introducing the driving capability of I-2533, some characteristics of copper cable must be assumed. The AC parameters are 120Ω impedance and 5 ns/m line delay, and the DC parameter follows the table shown below.

Table 3-1 Recommended DC parameters for CAN Bus Line

Wire Cross-Section [mm ²]	Resistance [Ω/km]
~0.25 (AWG23)	< 90
~0.5 (AWG20)	< 50
~0.8 (AWG18)	< 33
~1.3 (AWG16)	< 20

Under the conditions described above, users can refer to the following table to know the maximum node numbers in each segment following ISO 11898-2 and the maximum segment length when using different type of wire.

Table 3-2 Driving Capability

Wire Cross-Section [mm ²]	The maximum segment length [m] under the case of specific node number in this segment			
	16 Nodes	32 Nodes	64 Nodes	100 Nodes
~0.25 (AWG23)	< 220	< 200	< 170	< 150
~0.5 (AWG20)	< 390	< 360	< 310	< 270
~0.8 (AWG18)	< 590	< 550	< 470	< 410
~1.3 (AWG16)	< 980	< 900	< 780	< 670

3.2 Fiber Selection & Fiber Length

The specification of fiber used to connect I-2533 is shown as following table.

Table 3-3 Specification of Fiber

Type	Diameter [μm] (Core/Cladding)	Operating Wavelength [nm]
Multi-Mode	50/125	850
	62.5/125	
	100/140	

I-2533 allows maximum 2 km fiber length for each kind of CAN baud. Although the maximum fiber length has no relationship with the CAN baud rate, but the some attributions of fiber still influence it. Higher attenuation of fiber will reduce the transmission distance. Users can use following table to know the relationship between those two.

Table 3-4 The relationship between CAN baud rate and ideal fiber length

CAN Baud Rate [bit/sec]	Ideal Fiber Length [m]
1 M ~ 10 k	2000

Table 3-5 Attenuation & Fiber Length

Attenuation [dB/km]	Fiber Length [m]
2.8	< 2000
4	< 1500

By the way, when users use I-2533 in their application, they need to use one pair of I-2533 for communication. The general application architecture may look like as follows.

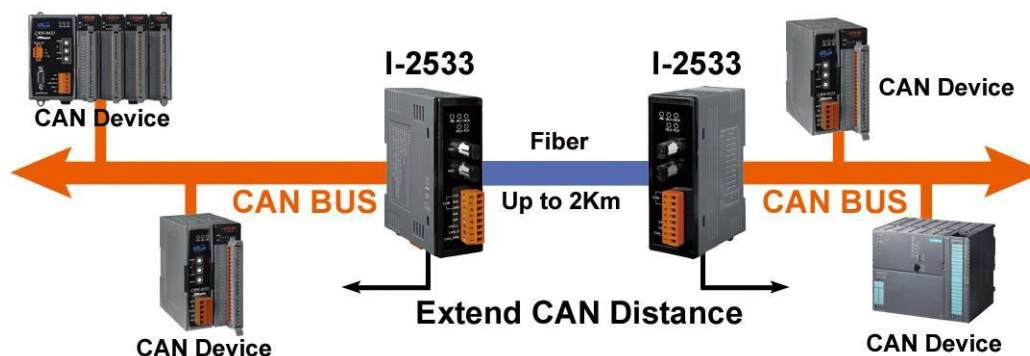


Figure 3-1 I-2533 general application architecture

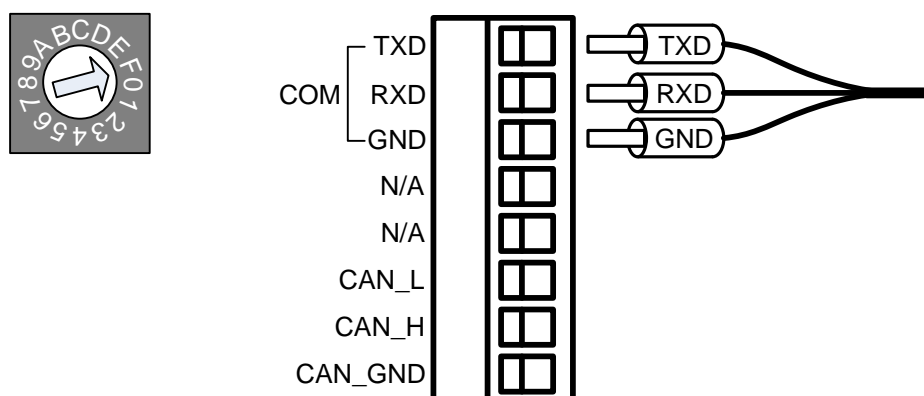
3.3 Filter & User-defined Baud Rate Configuration

When users want to use user-defined baud rate or set the message filter, I-2533 utility tool may be needed. It can be free downloaded from the following web site or get it in the product CD (path: CAN/Converter/I-2533 /Software):

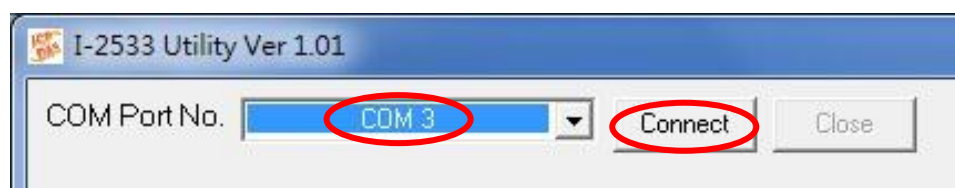
http://www.icpdas.com/products/Remote_IO/can_bus/i-2533.htm

After getting the utility tool, please follow the following steps to set the baud rate and message filter.

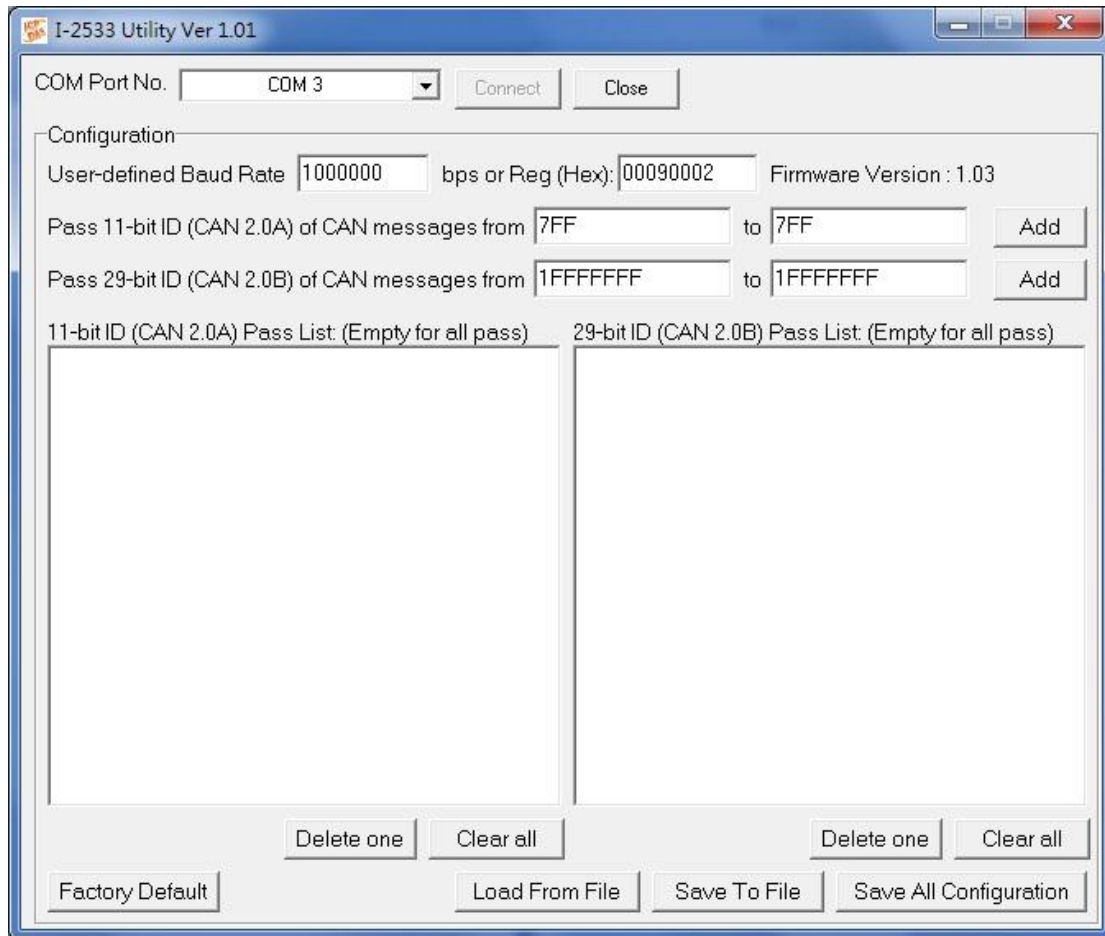
Step0: Power off the I-2533. Set the rotary switch to “F”, and connect the PC available COM port with the COM port of the I-2533. Users can find the communication cable in the product box. When connecting to the COM port of I-2533, the TXD pin of the cable is connected to the TXD pin of the COM port, RXD pin of the cable is connected to the RXD pin of the COM port, and GND pin of the cable is connected to the GND pin of the COM port. Then, power on the I-2533.



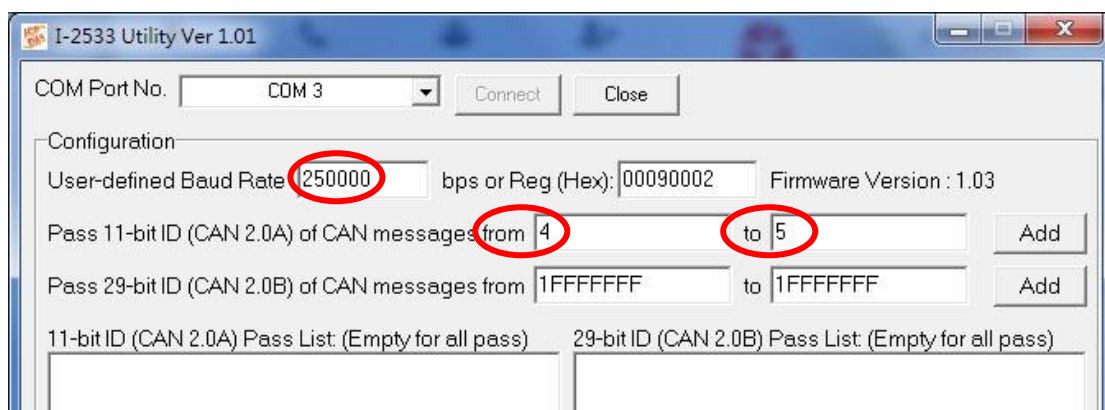
Step1: Execute the I2533_Utility.exe, the dialog of the I-2533 Utility will be popped up. Select the PC COM port which is connected with the COM port of the I-2533. Then, click “Connect” button.



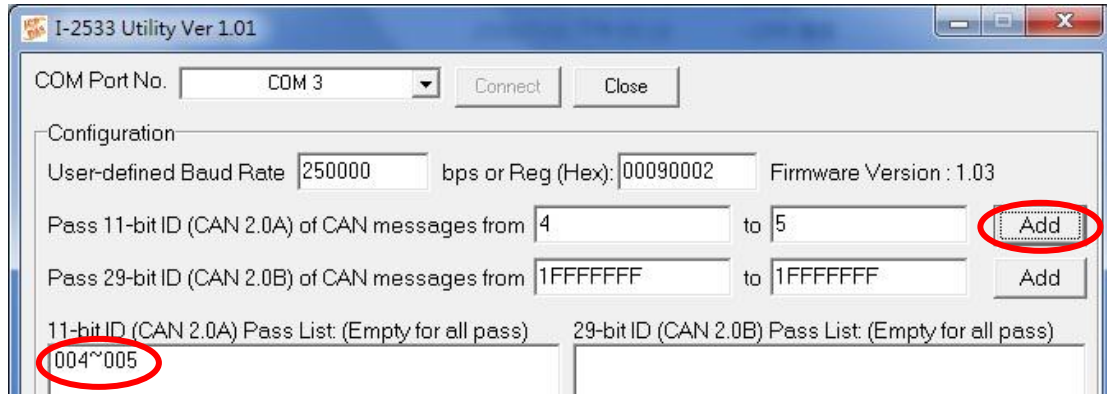
Step2: After connecting the I-2533 successfully, the parameters stored in the I-2533 will be shown on the dialog.



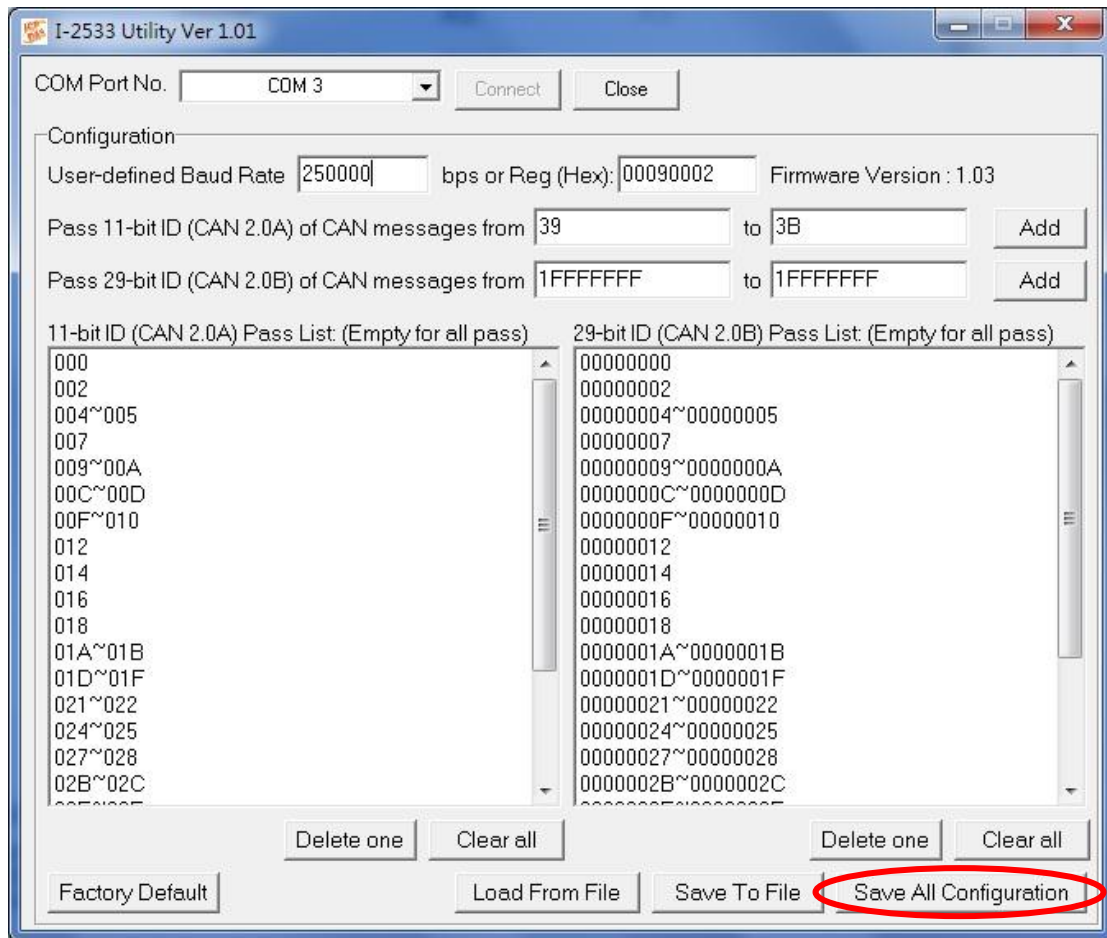
Step3: Users can set the baud rate on the “User-defined Baud Rate” field. Here, fill “250000” for 250 kbps. Then, set the filter by using the “from” field, “to” field, and “Add” button. For example, If users want to pass the CAN message with ID 0x4 and 0x5 in the CAN 2.0A specification. Fill the value “4” in the “from” field of CAN 2.0A, and the value “5” in the “to” field of CAN 2.0A. For How to use Reg(Hex) filed, refer to section 3.4.



Step4: Click “Add” button to add this configuration. The configuration is shown on the “Pass List” field. If the “Pass List” is not empty, only the messages matched with the “Pass List” will be passed. If the “Pass List” field is empty, it means all-pass. If users want to pass the message with ID 0x0 in the CAN 2.0A specification, fill the value “0” in both of “from” and “to” field and click “Add” button.



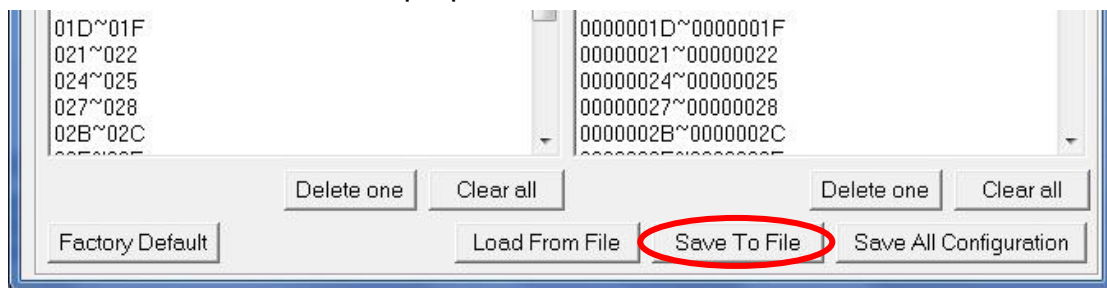
Step5: The method of configuring the message filter of the CAN 2.0B messages is similar with the configuration steps of the message filter of the CAN 2.0A messages. After finishing all of the configurations, click “Save all configuration” to store the configuration in the I-2533.



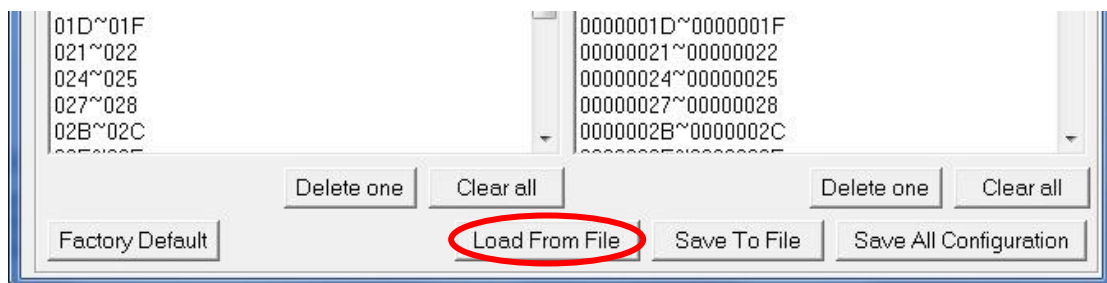
Step6: When the procedure is successful, the following message will be shown.



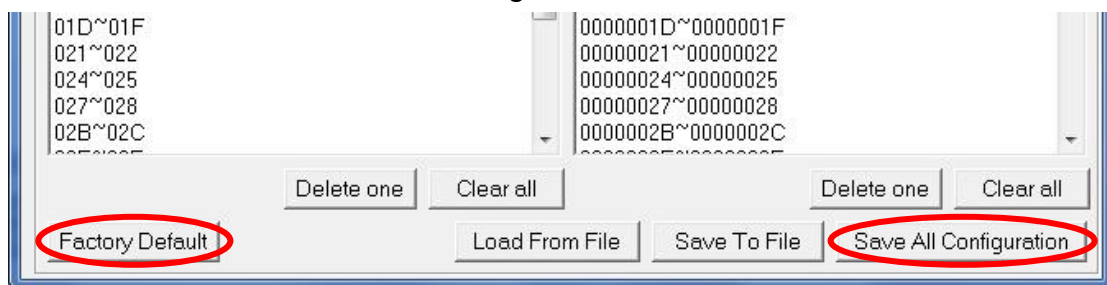
Step7: Then, Users can save the configurations in to an .ini file. Click “Save to File” to archieve this purpose.



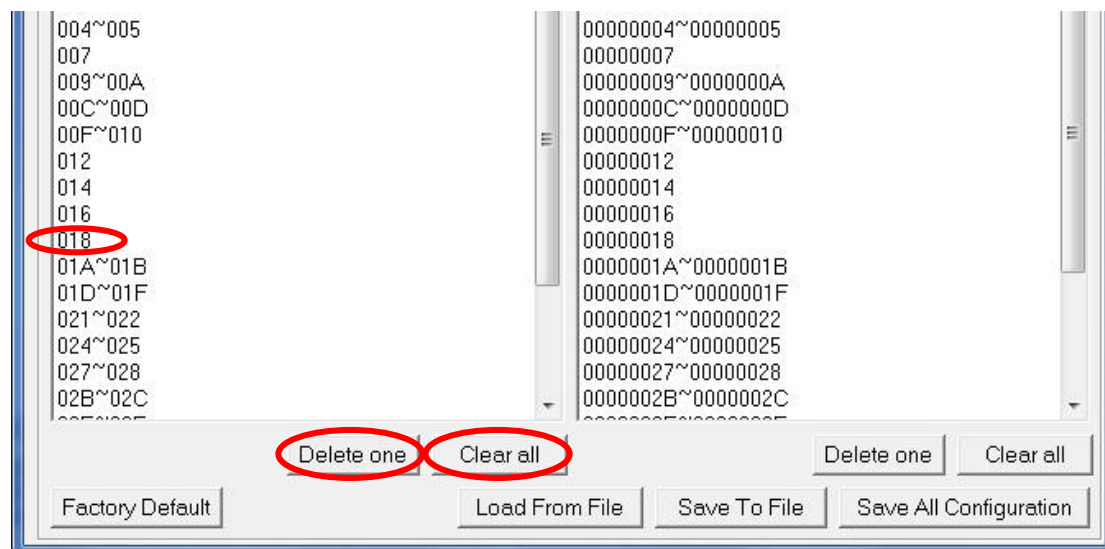
Step8: Of course, users can load the configurations from .ini file, and store them into the I-2533.



Step9: If users want to recover the configurations to be default, click “Factory Default” and “Save All Configuration” button.



Step10: Selecting one filter form the “Pass List” and clicking “Delete one” button can remove one setting. For example, if users want to remote the setting of ID 0x018 from the CAN 2.0A Pass List, click the ID 0x018 in the “Pass List”, and click “Delete one” button. The ID 0x018 will be removed from the “Pass List”. “Clear all” button will remove all settings from the “Pass List”.

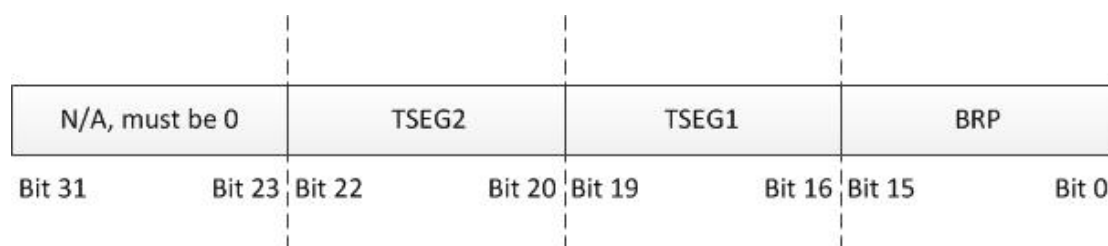


Step11. After finishing the configuration, set the rotary switch value to “0” ~ “A” and reboot the I-2533. The CAN message filter will be applied automatically in the value “0” ~ “A” of the rotary switch. The CAN baud rate set by utility is only applied when the rotary switch is set to “A”.

3.4 Baud Rate Register Configuration

The I-2533 supports the baud register configuration. Users can directly configure the baud by write the proper value of the baud register. This is useful if users want to adjust the position of the sampling point of a CAN message. The baud rate register is active when the value baud is set to zero and the rotary switch is set to 'A'. The following steps is helpful for configure the baud register.

Step 1: Calculate the proper value of the baud register. The baud register is divided into 4 parts as below.



$$\text{Sampling point} = \frac{1+(TSEG1+1)}{1+(TSEG1+1)+(TSEG2+1)} \times 100\%$$

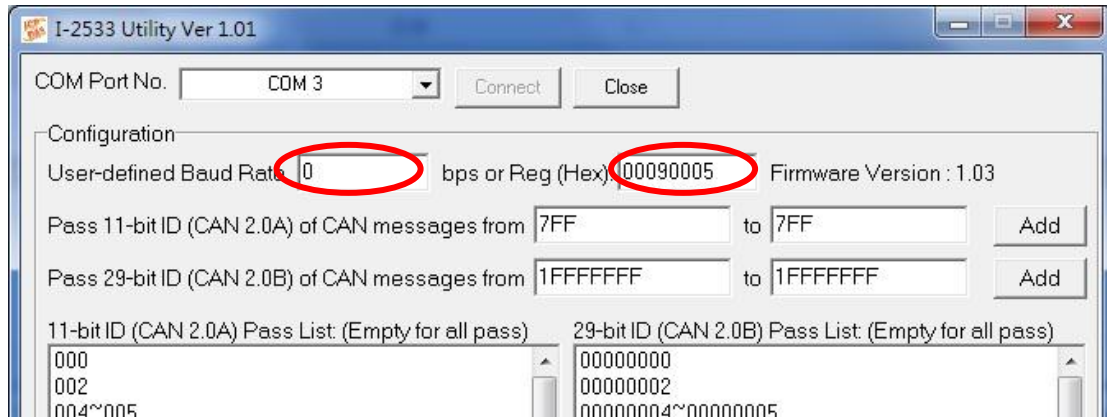
The range of the TSEG1 is 0 ~ 15

The range of the TSEG2 is 0 ~ 7

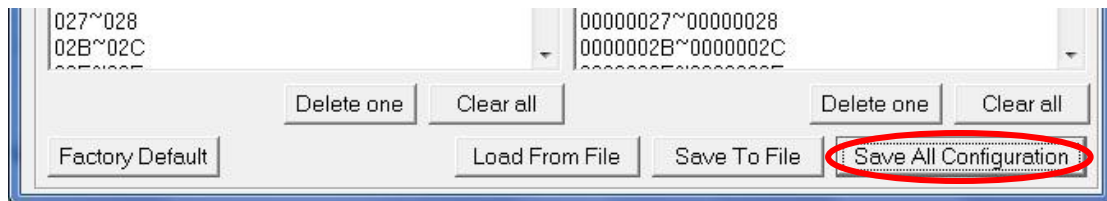
The range of the BRP is 0 ~ 1023

- (1) Calculate the time quantum which is the value of 36000000 divided by the value of the CAN buad which you would like to use. For example, if you want to use 250kbps, then $36000000/250000=72$. Because the time quantum must be integer, if the time quantum can't be integer, it indicates that the baud rate can't be supported by the I-2533.
- (2) The time quantum must be the product of the (BRP+1) and $1+(TSEG1+1)+(TSEG2+1)$. Because the limitation of the value of TSEG1 and TSEG2, the time quantum divided by (BRP+1) must be in the range of 3 ~ 25. Therefore select a proper integer value of the BRP to fit the condition. For example, if the time quantum are 72. The BRP may be 2, 3, 5, 7, 8, 11, 17, 23, and 35. If the BRP is selected to 5, the $1+(TSEG1+1)+(TSEG2+1)$ is $72/(5+1)=12$. Select the TSEG1 and TSEG2 are 9 and 0 respectively. In this case, the sampling point is $(1+9+1)/(1+9+1+0+1)=91.6\%$. The register value is 0x00090005.

Step 2: Execute the I-2533 Utility, connect to the I-2533, and set the calculated value into the fields, and set the baud rate to be zero.



Step 3: When finishing the configuration, click Save All Configuration button.



Step4: When the procedure is successful, the following message will be shown.



Step5: Power off the I-2533, and set the rotary switch to 'A'. Then power on the I-2533 to activate the baud register.

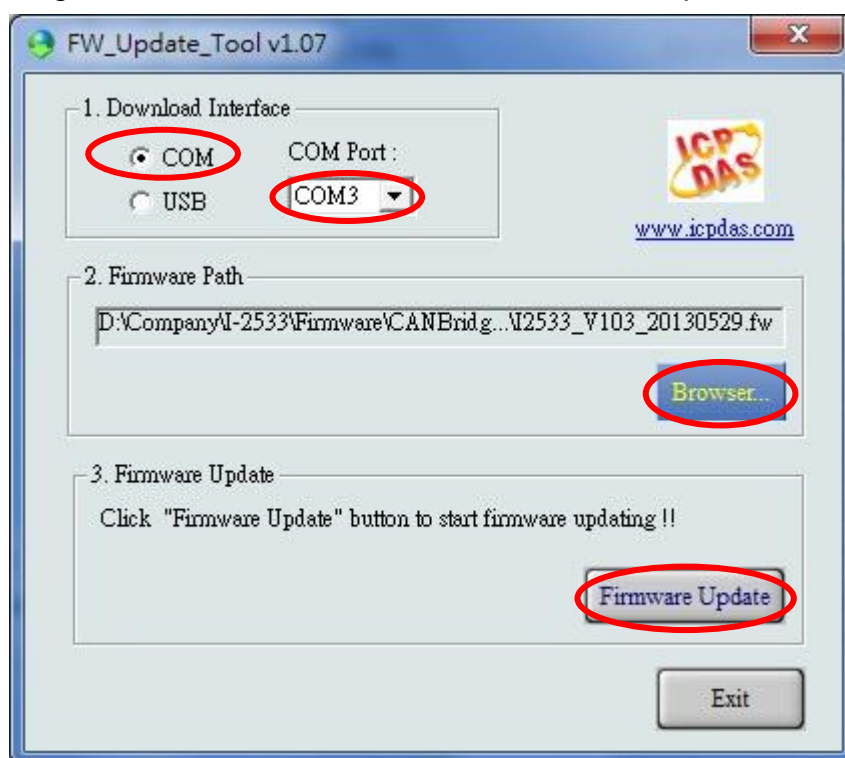
3.5 Update Firmware

When users would like to update the I-2533 firmware, please prepare the tool FW_Update_Tool.exe, and the firmware .fw file which would be downloaded into the I-2533. You can get these files from the following web site or get it in the product CD (path: CAN/Converter/I-2533/Software):

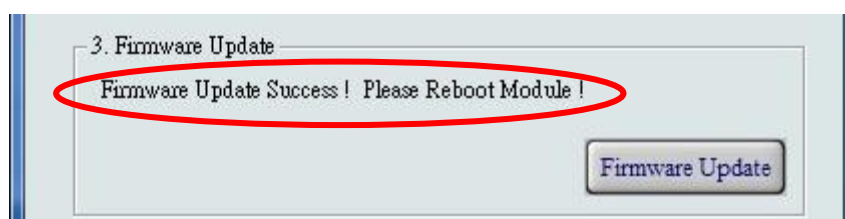
http://www.icpdas.com/products/Remote_IO/can_bus/i-2533.htm

Step 1: Power off the I-2533, set the rotary switch to 'E', and power on the I-2533. If the I-2533 is in the firmware update mode, the CAN_Tx, CAN_Rx, CAN_Err, FB_Err will flash once per second simultaneously.

Step 2: Download the FirmwareUpdateTool.zip and extract the compressed file. Then execute the FW_Update_Tool.exe. Select the PC COM port which is connected to the I-2533 COM port, and find the firmware by using Browser button. Then click the Firmware Update button.



Step 3: When finishing the firmware update, you can see the information as follows.



4 Dimension

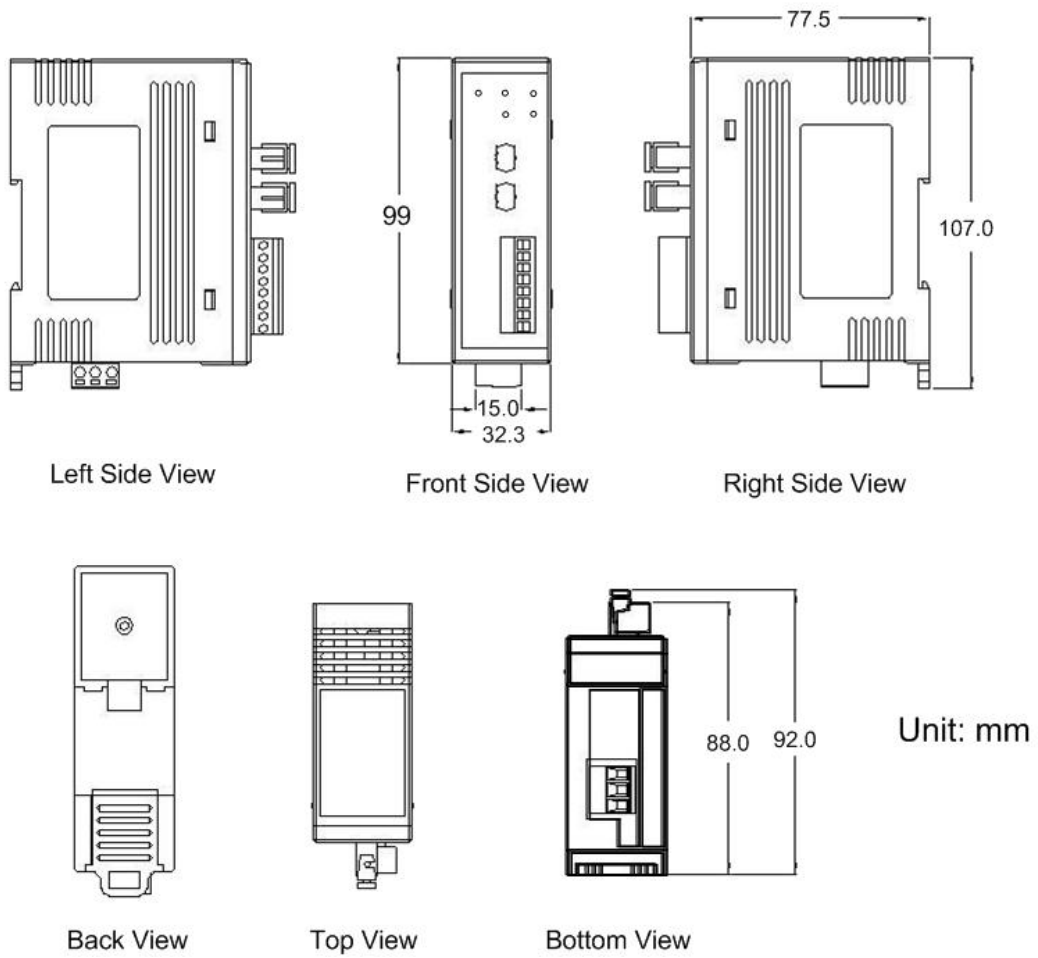


Figure 4-1 Dimension of I-2533