



LP-5231

Linux Based PAC with Cortex-A8 CPU 1 LAN Port

Features

- Cortex-A8, 1 GHz CPU
- Linux kernel 3.2.14 Inside
- 512 MB SDRAM and 512 MB Flash
- 64-bit Hardware Serial Number
- Hard Real-Time Capability (RTC)
- I/O Expansion Bus
- 10/100/1000M Ethernet Port
- 4 Serial Ports (RS-232/485)
- Operating Temperature: -25 to +75 ° C



Introduction

The LP-5231 is equipped with a Cortex-A8 CPU (1 GHz) running a Linux operating system (Linux Kernel 3.2.14), a variant of input/output ports (VGA, USB, Ethernet, RS-232/485), and powerful software including development tools. Linux Kernel 3.2.14 is a compact and real-time OS used to quickly create time critical and high performance applications.

Main advantage of the LP-5231 is its high quality control system, including its stability, small core size, optional I/O expansion board, support for Web services (Web/SFTP/SSH server). Using the built-in Flash and microSD, the LinPAC can save application program, image file and data.

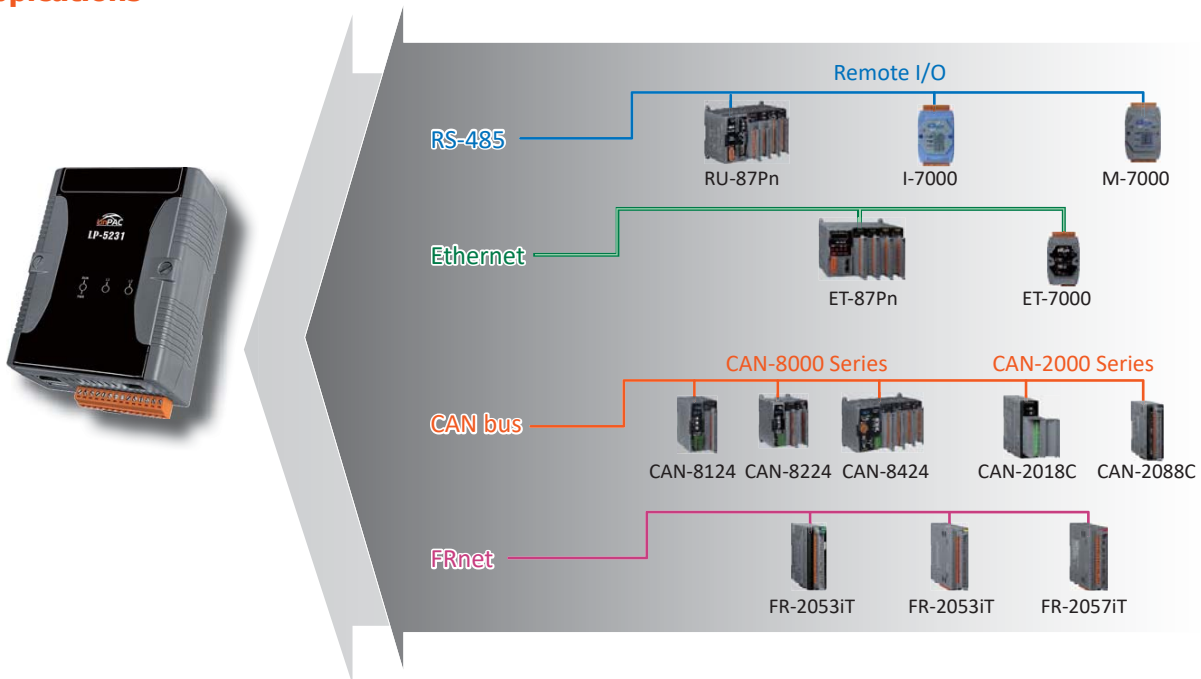
Linux Kernel OS



Main advantage of the LP-5231 is its high quality control system, including its stably properties, open source and the standard LinPAC SDK for Windows and Linux using the GNU C language, GUI software. The main purpose of LP-5231 is to allow the numerous enthusiastic Linux users to control their own embedded system easily within the Linux environment.

- LinPAC SDK for Windows and Linux
- Support for GNU C Language
- Support for GUI: Using GTK + Library
- Support for USB to Serial Converter
- Support for DCON, Modbus and SNMP Protocols

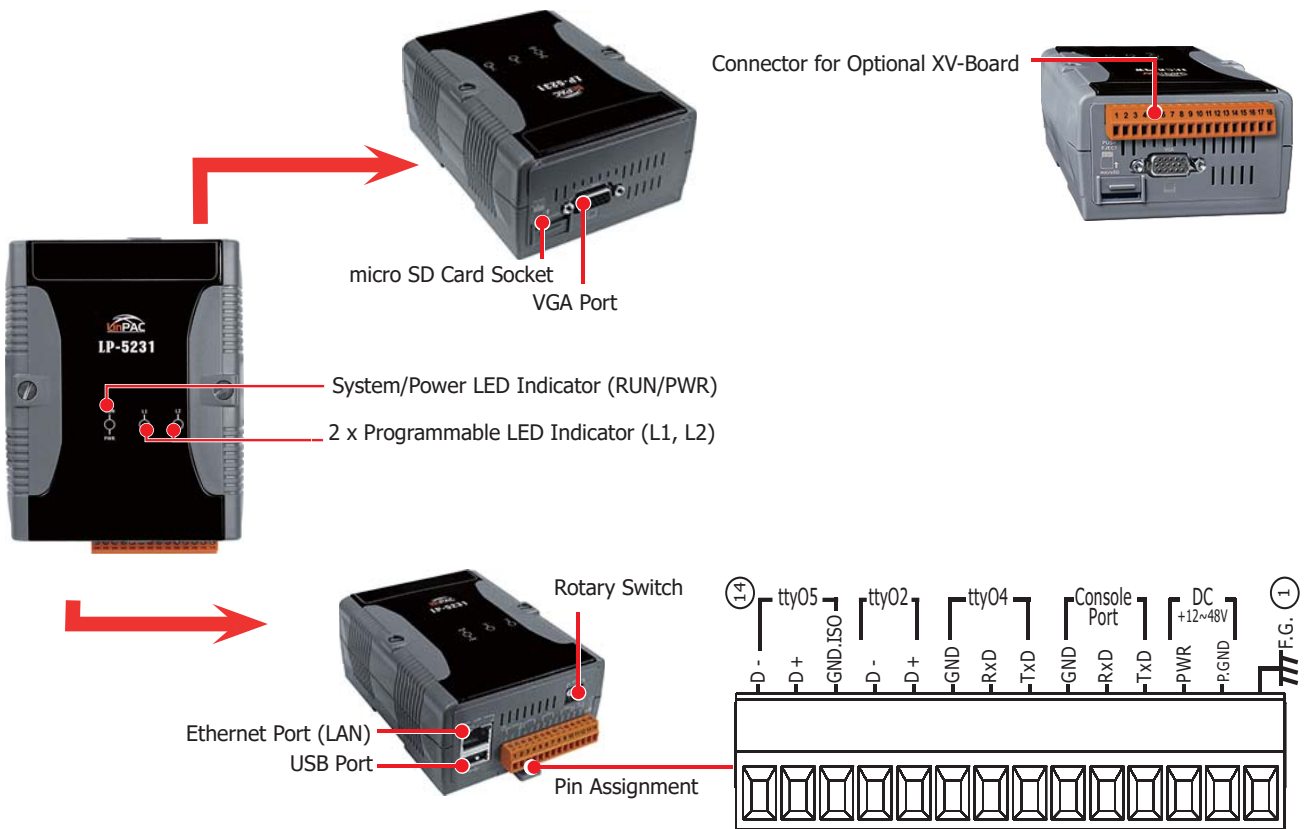
Applications



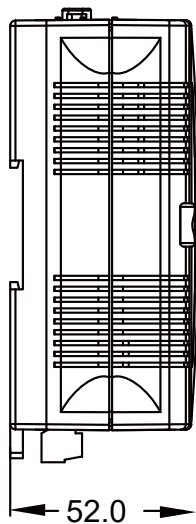
Specifications

System Software	
OS	Linux Kernel 3.2.14
Service	SFTP server, Web server, SSH
SDK	LinPAC SDK (GCC based toolchain and LinPAC Libraries)
Main Unit	
CPU	Cortex-A8, 1.0 GHz
SDRAM	512 MB DDR3
Flash	512 MB
FRAM	64 KB
Storage	4 GB microSD card (up to 32 GB)
RTC (Real Time Clock)	Provide seconds, minutes, hours, dates, day of week, month, year
64-bit Hardware Serial Number	Yes, for software copy protection
Watchdog Timer	Dual Watchdog Timer
Rotary Switch	1 x 10 Position (0 ~ 9)
LED Indicator	1 x Power, 1 x Run, 2 x Programmable
Buzzer	Yes
Display	
VGA	Analog RGB, Resolution: Up to 1280 x 1024
I/O Expansion	
I/O Type	One optional XV-board
Communication Ports	
Ethernet	1 x RJ-45, 10/100/1000M Base-TX (Auto-negotiating, Auto MDI/MDI-X, LED Indicators)
USB	1 x USB 2.0 (host)
Console Port	RS-232 (RxD, TxD and GND); Non-isolated
ttyO2	RS-485 (Data+, Data-); Non-isolated
ttyO4	RS-232 (RxD, TxD and GND); Non-isolated
ttyO5	RS-485 (Data+, Data-); 2500 VDC isolated
Mechanical	
Casing	Plastic
Dimensions (W x L x H)	117 mm x 126 mm x 58 mm
Installation	DIN-Rail, Wall mounting
Environmental	
Operating Temperature	-25 ~ +75 °C
Storage Temperature	-40 ~ +80 °C
Humidity	10 ~ 95 % RH (Non-condensing)
Power	
Input Range	+12 ~ 48 VDC
Consumption	4.8 W

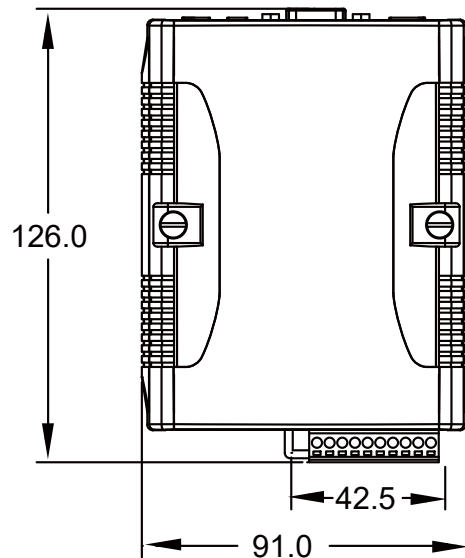
Appearances



Dimensions (Units: mm)



Left Side View



Front View

Ordering Information

LP-5231 CR	Linux Based PAC with Cortex-A8 CPU 1 LAN Port (RoHS)
-------------------	------------------------------------------------------

Accessories

XV-Board	Add-on I/O Expansion Board
-----------------	----------------------------