



# tET-P2R2/tPET-P2R2

## Quick Start

v1.1, Mar. 2018

### What's in the box?

The package includes the following items:



tET/tPET-P2R2 Module x 1



Quick Start x1 (This Document)

### Related Information

- tET-P2R2/tPET-P2R2 Series Product Page:  
[http://www.icpdas.com/root/product/solutions/remote\\_io/ethernet\\_io/petl-7000\\_tpet\\_tet/tet-p2por2.html](http://www.icpdas.com/root/product/solutions/remote_io/ethernet_io/petl-7000_tpet_tet/tet-p2por2.html)
- Documentation & Firmware:  
<http://ftp.icpdas.com/pub/cd/tinymodules/napdos/tpet/>
- NS-205/NS-205PSE/DP-665 Product Page (optional):  
[http://www.icpdas.com/root/product/solutions/industrial\\_ethernet\\_switch/ns-205.html](http://www.icpdas.com/root/product/solutions/industrial_ethernet_switch/ns-205.html)  
[http://www.icpdas.com/root/product/solutions/industrial\\_ethernet\\_switch/ns-105pse.html](http://www.icpdas.com/root/product/solutions/industrial_ethernet_switch/ns-105pse.html)  
[http://www.icpdas.com/root/product/solutions/accessories/power\\_supply/dp-665.html](http://www.icpdas.com/root/product/solutions/accessories/power_supply/dp-665.html)

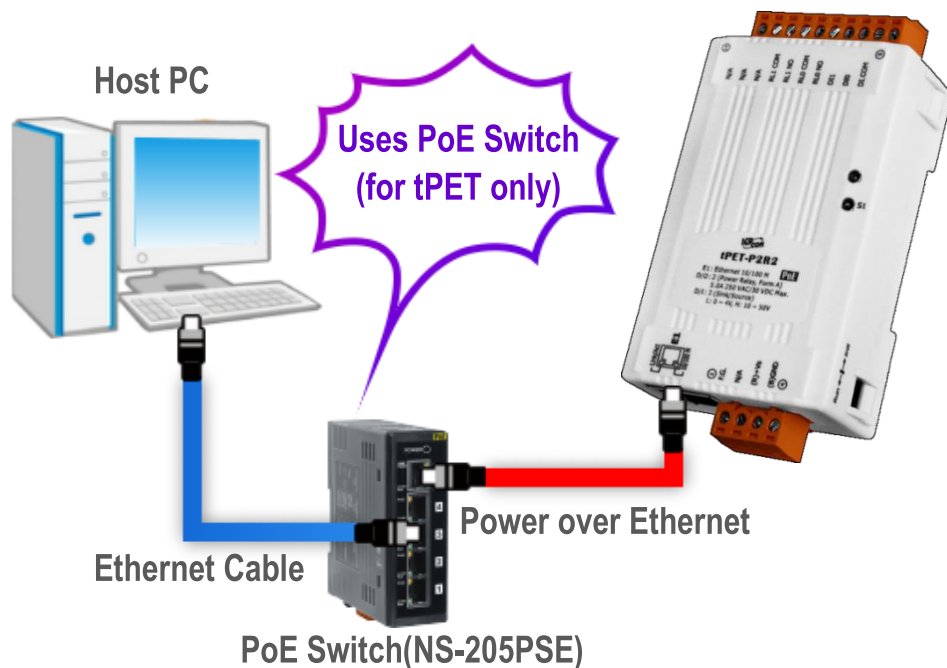
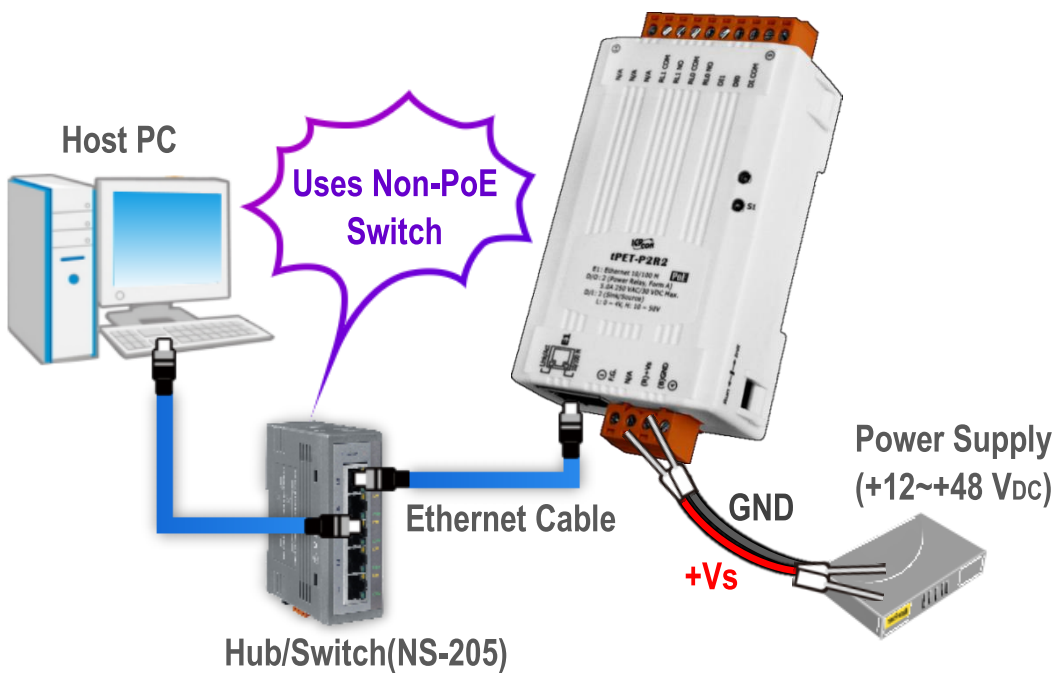
# 1 Connecting the Power and Host PC

1) Make sure your PC has workable network settings.

Disable or well configure your Windows firewall and Anti-Virus firewall first, else the “**Search Servers**” on Chapter 6 may not work. (Please contact with your system Administrator)

2) Connect both the tET/tPET-P2R2 and your PC to the same sub network or the same Ethernet switch.


3) Supply power (PoE or +12~+48 Vdc) to the tET/tPET- P2R2.

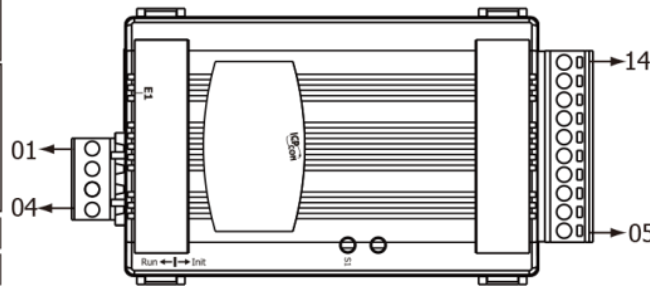


# 2

## Pin Assignments & Wiring Note

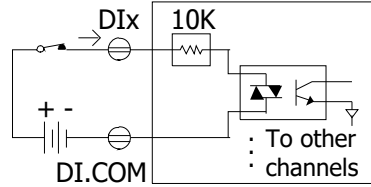
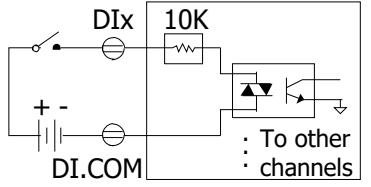
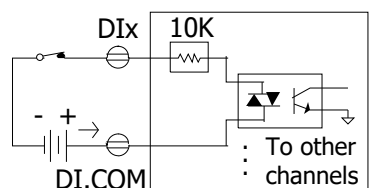
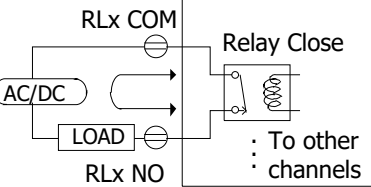
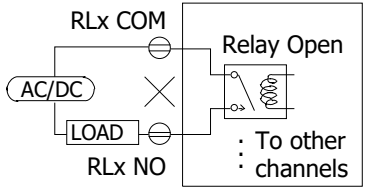
### ➤ Pin Assignments:

Terminal No.	Pin Assignment
E1	
01	F.G.
02	N/A
03	(R)+Vs
04	(B)GND



Terminal No.	Pin Assignment
14	N/A
13	N/A
12	N/A
11	RL1 COM
10	RL1 NO
09	RL0 COM
08	RL0 NO
07	DI1
06	DI0
05	DI.COM

### ➤ Digital Input/Output Wiring:

Digital Input	Readback as 1	Readback as 0
Sink	+10 ~ +50 Vdc 	OPEN or <4 Vdc 
	Source	+10 ~ +50 Vdc 
Digital Output	Readback as 1	Readback as 0
Relay Output	Relay ON 	Relay OFF 

# 3

## Modbus Address

➤ (0xxxx) DO address:

Begin address	Points	Description	Bits Per Point	Range	Access Type
0 (0x0)	1~2	Digital Output Channels	1	0: OFF, 1: ON	R/W
32 (0x20)	1	Clears the status of all high latched DI channels	1	1: Clear	W
33 (0x21)	1	Clears the status of all low latched DI channels	1	1: Clear	W
⋮	⋮	⋮	⋮	⋮	⋮
235 (0xEB)	1~2	Sets the Power-on value for all DO Channels	1	0: OFF, 1: ON (Default: 0)	R/W/F
267 (0x10B)	1~2	Sets the Safe value for all DO Channels	1	0: OFF, 1: ON (Default: 0)	R/W/F

➤ (1xxxx) DI address:

Begin address	Points	Description	Bits Per Point	Range	Access Type
0 (0x0)	1~2	Digital Input	1	0:Off 1:On	R
32 (0x20)	1~2	Digital latched status (high)	1	0:no 1:latched	R
64 (0x40)	1~2	Digital latched status (low)	1	0:no 1:latched	R

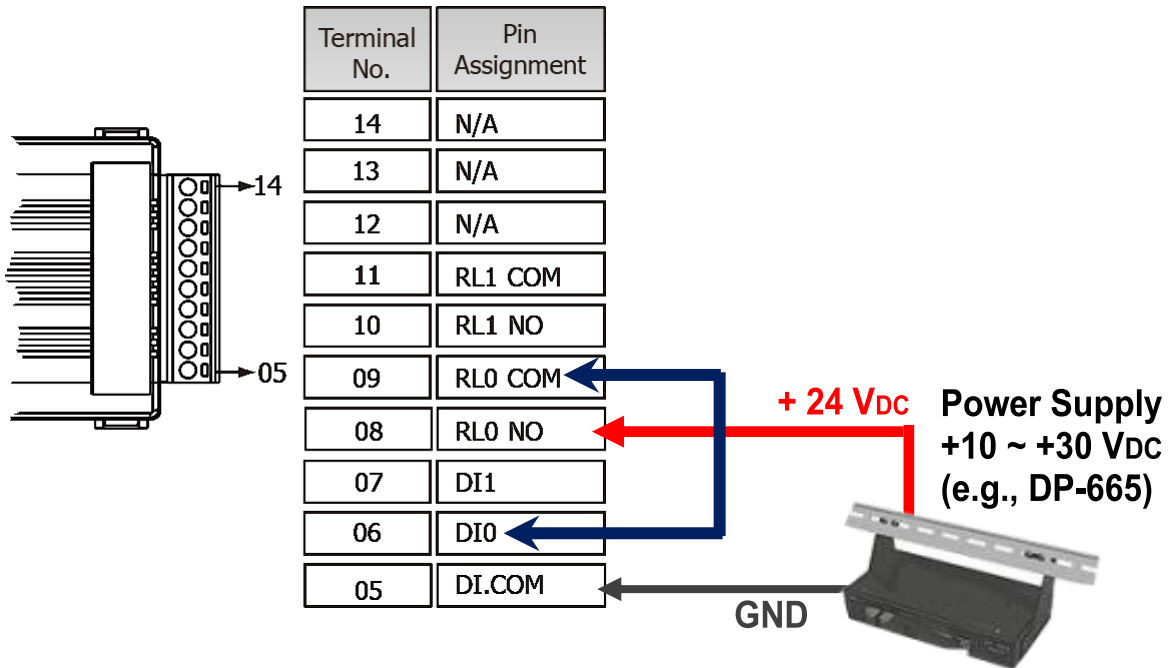
### Note

For detail “DI/DO Modbus Address” information, refer to Section 6.3 Modbus Register Table of user’s manual (<http://ftp.icpdas.com/pub/cd/tinymodules/napdos/tpet/document/>).

# 4

## Wire the DI and DO for Self-test

- 1) Connect the RL0 COM pin (Pin09) and DI0 pin (Pin06).
- 2) Supply the External Power +24V to RL0 NO pin (Pin08).
- 3) Supply the External Power GND to DI.COM pin (Pin05).



# 5

## Installing Software on Your PC

Install eSearch Utility, which can be obtained from the ICPDAS web site:



eSearch\_v1.1.13  
\_setup.exe



<http://ftp.icpdas.com/pub/cd/tinymodules/napdos/software/esearch/>

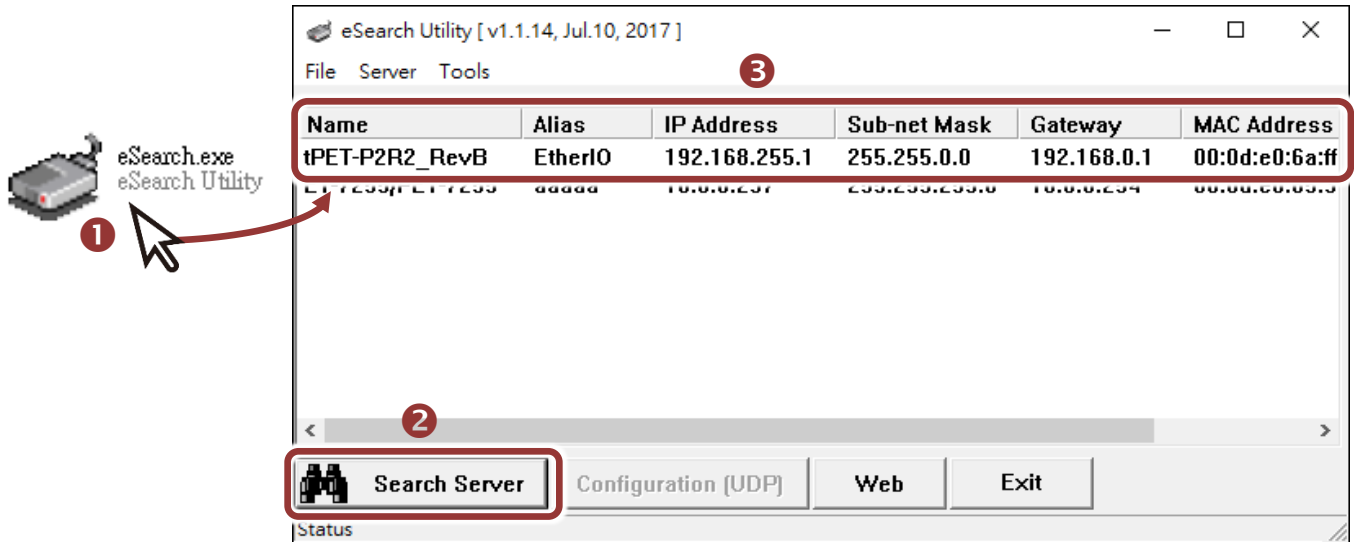


<ftp://ftp.icpdas.com/pub/cd/tinymodules/napdos/software/esearch/>

# 6

## Configuring Network Settings

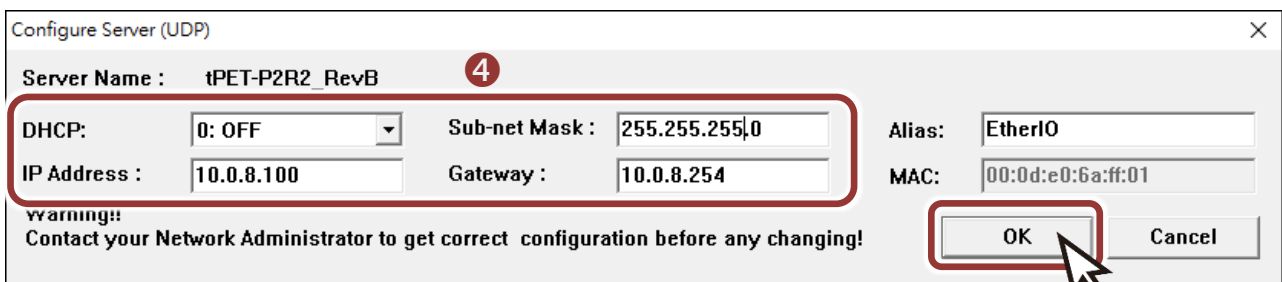
- 1) Double-click the **eSearch Utility** shortcut on the desktop.
- 2) Click the “**Search Servers**” to search your tET/tPET- P2R2.
- 3) Double-click your tET/tPET- P2R2 to configure the settings



### Factory Default Settings of tET/tPET-P2R2:

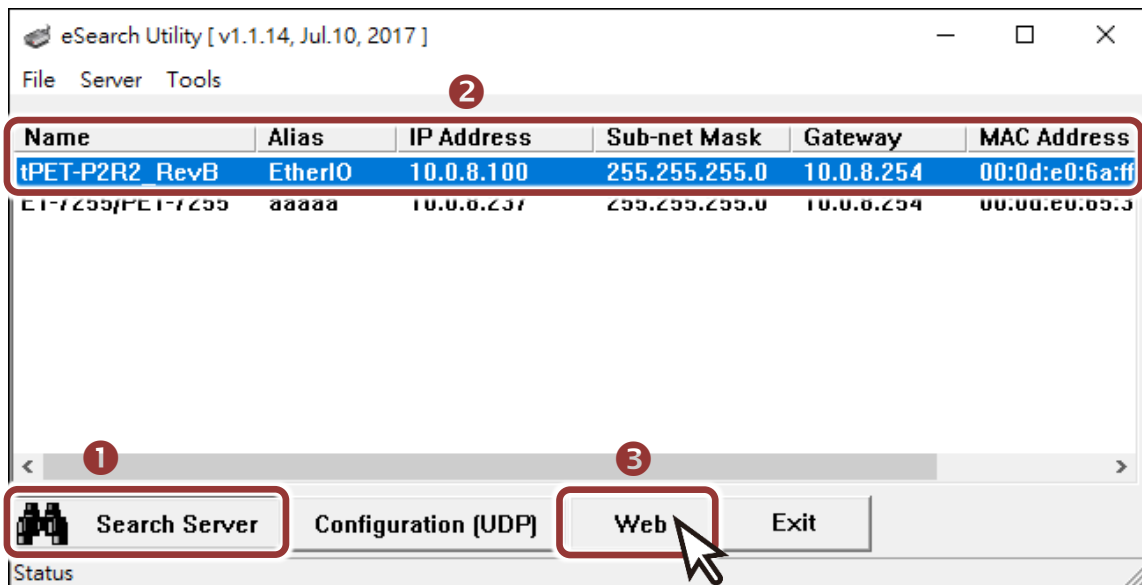
IP Address	192.168.255.1
Subnet Mask	255.255.0.0
Gateway	192.168.0.1

- 4) Contact your Network Administrator to obtain a correct network configuration (such as **IP/Mask/Gateway**). **Enter the network settings** and click “**OK**”. **⚠ Note: The tET/tPET-P2R2 will use the new settings 2 seconds later.**



# 7 Testing your tET/tPET Module

- 1) Wait 2 seconds and click “**Search Servers**” button again to ensure the tET/tPET- P2R2 is working well with new configuration.
- 2) Click the name of tET/tPET- P2R2 to select it.
- 3) Click the “**Web**” button to log in to the web configuration pages.  
(Or enter the URL address of the tET/tPET- P2R2 in the address bar of the browser.)



Note that if you intend to use Internet Explorer, ensure that the cache function is disabled in order to prevent browser access errors, please disable your Internet Explorer cache as follow: **(If you are not using IE browser, please skip this step.)**

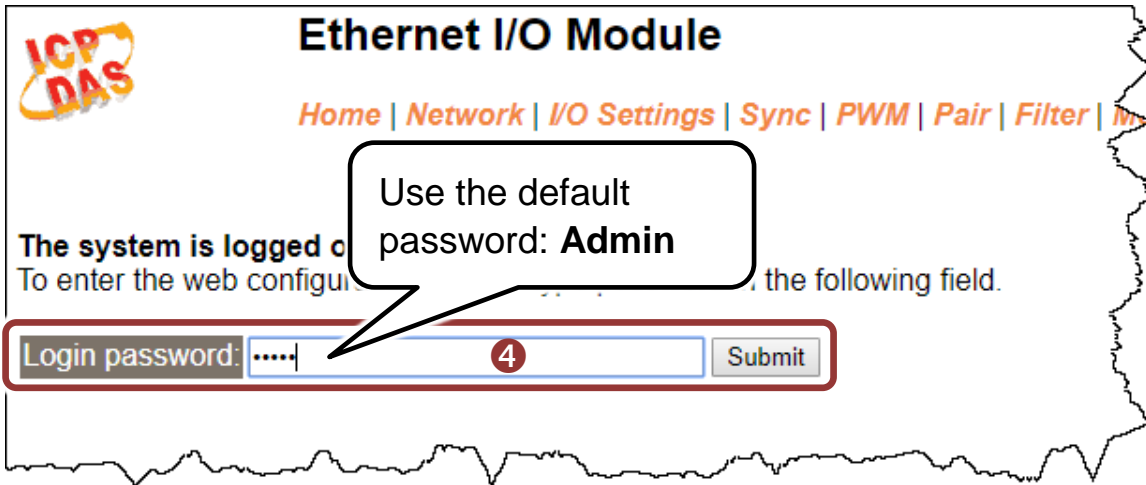
Step1: Click “**Tools**” >> “**Internet Options...**” in the menu items.

Step 2: Click “**General**” tab and click the “**Settings...**” button in Temporary Internet files frame.

Step3: Click “**Every visit to the page**” and click the “**OK**” in Settings box and Internet Options box.

For more detail, refer to [“FAQ: How to avoid a browser access error that causes a blank page to be displayed when using Internet Explorer”](#)

4) Enter the password in the “login password” field and click “Submit”.



5) In the “Home” page allows a simple test to be performed to verify the Digital Input and Output functionality.

6) In the “Digital I/O” section, click the “DO0” button to ON (Red).

7) The corresponding DI becomes green for DI0 is ON.

DI Channel	Value (10000)	Counter (30016) / Frequency (30064)	High Latched (10032)	Low Latched (10064)
DI0:		-	-	-
DI1:		-	-	-
DI2:		-	-	-
DI3:		-	-	-