



**PFN-2053**  
PROFINET I/O Module

### Features

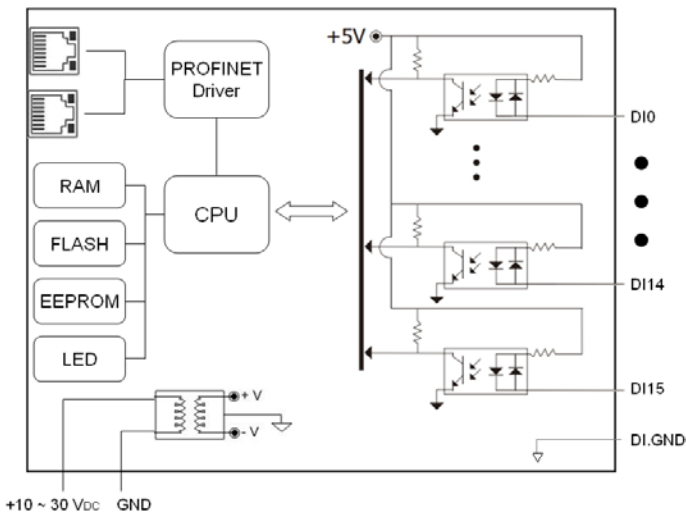
- Protocol: PROFINET IO Device
- PROFINET Conformance Class B and RT Class 1
- Cyclic Time: 1ms (min)
- Generic GSDML File Provided (Version 2.25)
- 4 kV Contact ESD protection for any terminal
- The operating temperature range is -25°C ~ +75°C



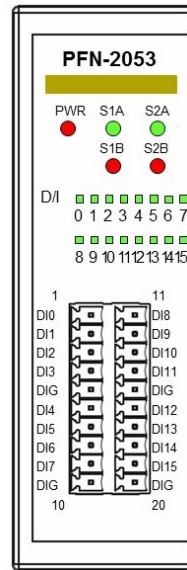
### Introduction

The PFN-2053 is one of the PROFINET IO series products produced by ICP DAS. It provides the PROFINET IO communication protocol with any PROFINET IO controllers. It has 16-channel dry contact non-isolated digital inputs, and it provides  $\pm 4\text{kV}$  ESD protection contacting for all terminals. You can access and configure it by using the GSDML file in any PROFINET Engineering tool.

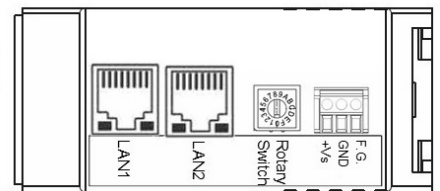
### Internal I/O Structure



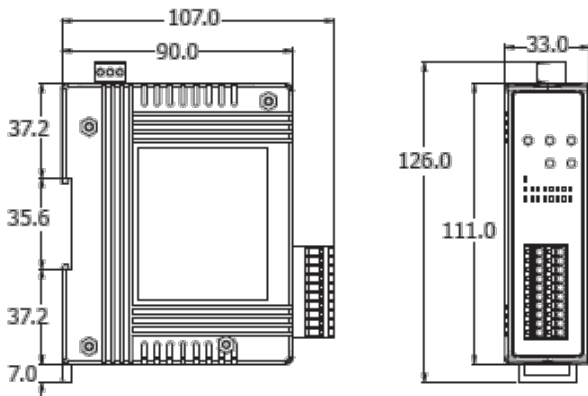
### I/O Pin & Wire Connection



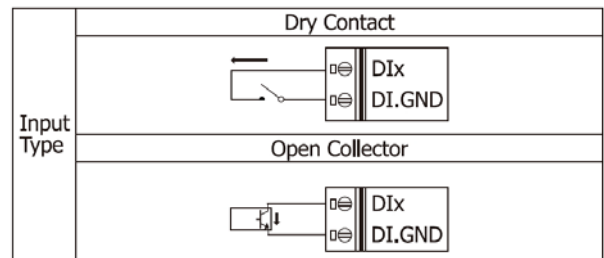
| Terminal No. | Pin Assignment | Terminal No. | Pin Assignment |
|--------------|----------------|--------------|----------------|
| 01           | DI0            | 11           | DI8            |
| 02           | DI1            | 12           | DI9            |
| 03           | DI2            | 13           | DI10           |
| 04           | DI3            | 14           | DI11           |
| 05           | DI GND         | 15           | DI GND         |
| 06           | DI4            | 16           | DI12           |
| 07           | DI5            | 17           | DI13           |
| 08           | DI6            | 18           | DI14           |
| 09           | DI7            | 19           | DI15           |
| 10           | DI GND         | 20           | DI GND         |



### Dimensions (Units: mm)



### Wire Connection



## Hardware Specifications

| Hardware            |  |
|---------------------|--|
| CPU                 | 32-bit CPU Core  |
| RAM/Flash/EEPROM    | 32 MB / 4 MB / 8 KB  |
| Watchdog            | CPU built-in   |
| ESD Protection      | 4 kV class A   |
| PROFINET Interface  |  |
| Protocol            | PROFINET IO Device   |
| Conformance Classes | Class B  |
| Services            | RTC, RTA, CL-RPC, DCP, LLDP, I&M                                     |
| Cycle Time          | 1 ms (min)   |
| Ethernet Interface  |  |
| Controller          | 10/100Base-TX Ethernet Controller (Auto-negotiating, Auto_MDIX)      |
| Connector           | RJ-45 x 2 (LED indicators) , Integrated 2-Port Switch                |
| Services            | ICMP, IGMP, ARP, DHCP, TELNET, TFTP, SNMP, VLAN Priority Tagging     |
| Digital Input       |  |
| Channels            | 16, Dry Contact: Source,   |
| Dry Contact Level   | Off Voltage Level : Open, On Voltage Level : Close to GND            |
| LED                 |  |
| Round LED           | PWR LED, S1A LED, S1B LED, S2A LED, S2B LED                          |
| Power               |  |
| Power supply        | Unregulated +10 ~ +30 V <sub>DC</sub>                                |
| Protection          | Power reverse polarity protection, Over-voltage brown-out protection |
| Power Consumption   | 4 W  |
| Mechanism           |  |
| Installation        | DIN-Rail   |
| Dimensions          | 33 mm x 107 mm x 126 mm (W x L x H)                                  |
| Environment         |  |
| Operating Temp.     | -25 ~ 75 °C  |
| Storage Temp.       | -30 ~ 80 °C  |
| Humidity            | 10 ~ 90% RH, non-condensing  |

## Application



## Ordering Information

|                    |  |
|--------------------|--|
| <b>PFN-2053 CR</b> | PROFINET I/O Module (Dry contact Non-Isolated 16-ch DI) (RoHS) |
|--------------------|--|