



I-8060W-G

6-channel Relay Output Module

Features

- 6-channel Relay Output
- ± 4 kV ESD Protection
- 1500 Vdc Intra-module Isolation
- Wide Operating Temperature Range: $-25 \sim +75$ °C



Introduction

The I-8060W module provides 6 Form C Relay Output channels. The I-8060W includes 6 LED indicators that can be used to monitor the status of the Relay Output. ± 4 kV ESD protection and 1500 Vdc intra-module isolation are also provided to enhance the noise protection capabilities of the module in harsh industrial environments.

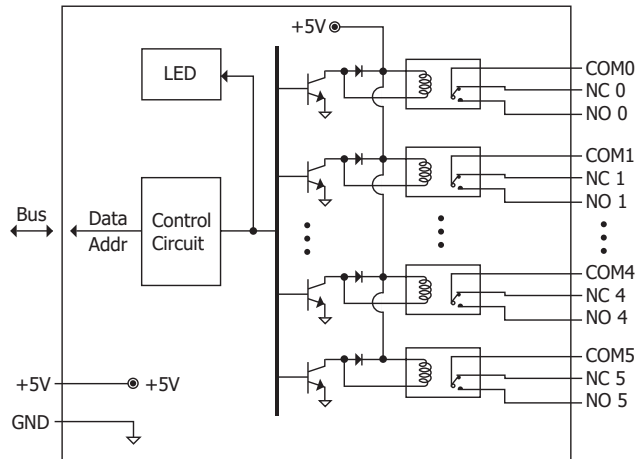
System Specifications

LED Indicators	
Power LED Indicator	1 LED as Power Indicator
I/O LED Indicator	6 LEDs as Relay Output Indicators
Isolation	
Intra-module Isolation, Field-to-Logic	1500 Vdc
EMS Protection	
ESD (IEC 61000-4-2)	± 4 kV Contact for each Terminal
Power	
Power Consumption	1 W max.
Mechanical	
Dimensions (W x L x H)	30 mm x 102 mm x 115 mm
Environment	
Operating Temperature	$-25 \sim +75$ °C
Storage Temperature	$-40 \sim +85$ °C
Humidity	10 ~ 90% RH, Non-condensing

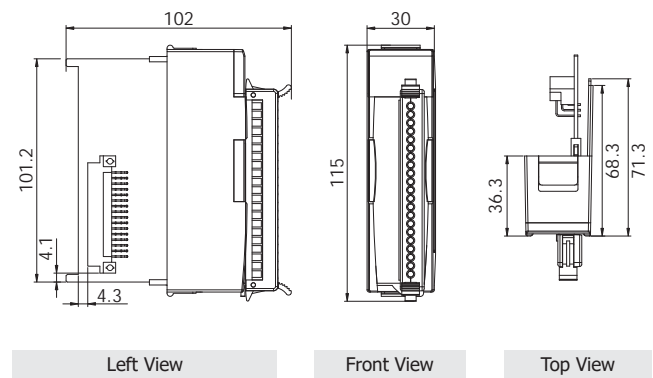
I/O Specifications

Digital Output		
Max. Load Current	2 A @ 23 °C	
Relay Output		
Channels	6 (Form C)	
Type	Power Relay	
Contact Rating	0.5 A @ 125 VAC; 0.25 A @ 250 VAC; 2 A @ 30 VDC	
Max. Operate Time	10 ms max.	
Max. Release Time	5 ms max.	
Electrical Endurance	500,000 Min. @ 30 VDC @ 2 A, Resistive	
Mechanical Endurance	100,000,000 Min.	
Surge Strength	Between Open Contacts	1000 Vrms (at 1 Minute)
	Between Coil and Contacts	1500 Vrms (at 1 Minute)

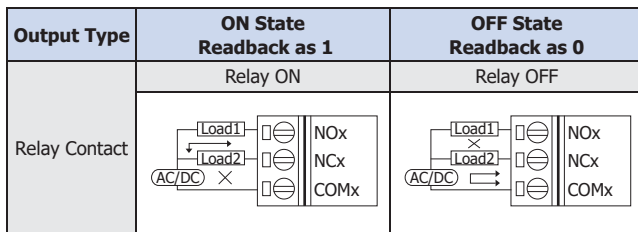
Internal I/O Structure



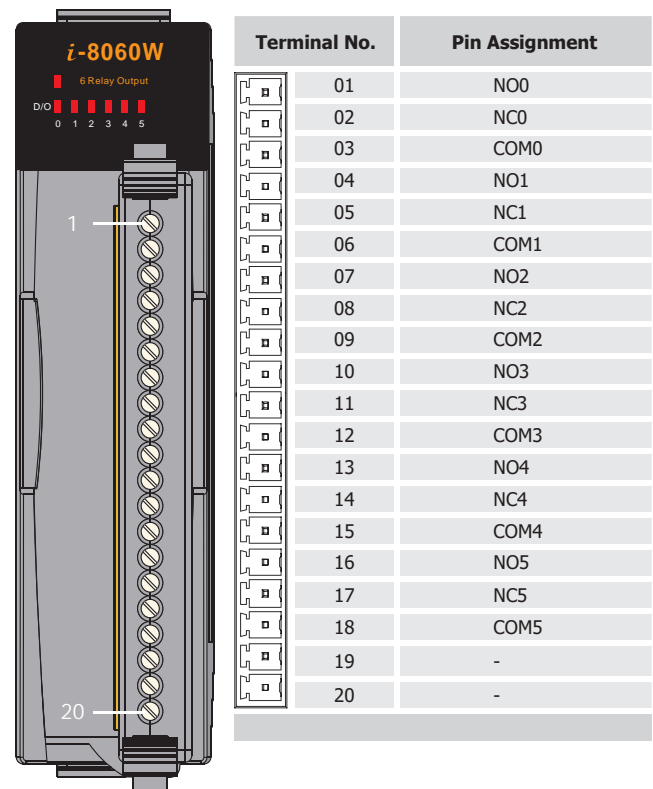
Dimensions (Units: mm)



Wire Connections



Pin Assignments



Ordering Information

I-8060W-G CR	6-channel Relay Output Module (Gray Cover) (RoHS)
---------------------	---------------------------------------------------