



I-8058W-G

8-channel AC Isolated Digital Input Module

Features

- 8-channel AC Digital Input
- Photocouple Isolation
- ± 4 kV ESD Protection
- 5000 VDC Intra-module Isolation
- Wide Operating Temperature Range: $-25 \sim +75$ °C



Introduction

The I-8058W is an 8-channel AC/DC Digital Input module with high voltage isolation. The ON voltage level for the module range can be between 80 ~ 250 VAC/VDC. The I-8058W include 8 LED indicators that can be used monitor DI channel status. 4 kV ESD protection and 5000 VDC intra-module isolation are standard.

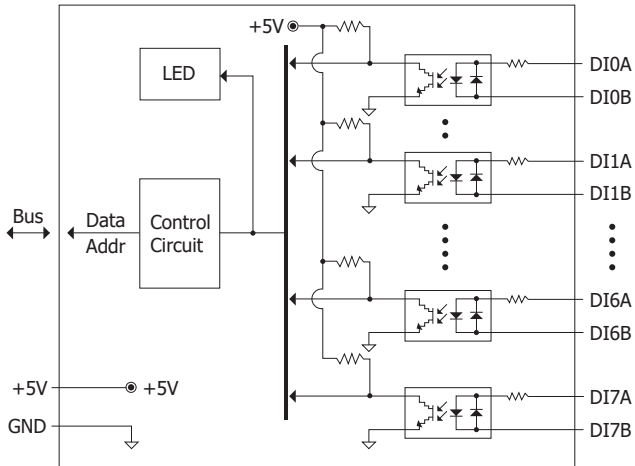
System Specifications

| LED Indicators/Display | |
|--|--------------------------------------|
| System LED Indicators | 1 LED as Power Indicator |
| I/O LED Indicators | 8 LEDs as Digital Input Indicators |
| Isolation | |
| Intra-module Isolation, Field-to-Logic | 5000 VDC |
| EMS Protection | |
| ESD (IEC 61000-4-2) | ± 4 kV Contact for each Terminal |
| Power | |
| Power Consumption | 0.6 W max. |
| Mechanical | |
| Dimensions (W x L x H) | 30 mm x 102 mm x 115 mm |
| Environment | |
| Operating Temperature | $-25 \sim +75$ °C |
| Storage Temperature | $-40 \sim +85$ °C |
| Humidity | 10 ~ 90% RH, Non-condensing |

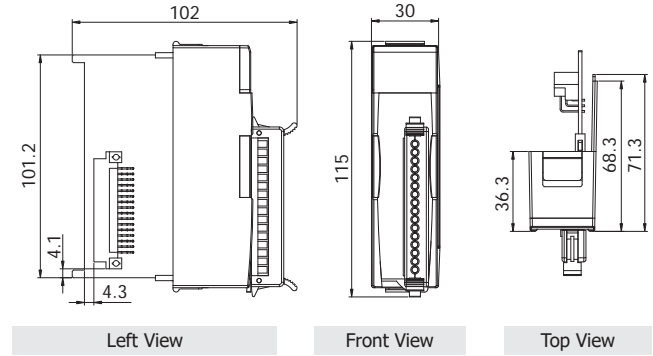
I/O Specifications

| Digital Input | |
|-------------------|---------------------|
| Channels | 8 AC (Differential) |
| Type | Wet Contact |
| On Voltage Level | 80 ~ 250 VAC |
| Off Voltage Level | 30 VAC max. |
| AC Frequency | 50 ~ 400 Hz |
| Input Impedance | 68 K Ω , 1 W |

Internal I/O Structure



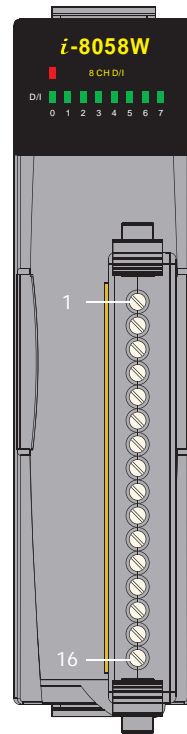
Dimensions (Units: mm)



Wire Connections

| Input Type | ON State LED ON Readback as 1 | OFF State LED OFF Readback as 0 |
|---------------|----------------------------------|------------------------------------|
| | Voltage > 80 VAC | Voltage < 30 VAC |
| Relay Contact | | |

Pin Assignments



| Terminal No. | Pin Assignment |
|--------------|----------------|
| 01 | DI0A |
| 02 | DI0B |
| 03 | DI1A |
| 04 | DI1B |
| 05 | DI2A |
| 06 | DI2B |
| 07 | DI3A |
| 08 | DI3B |
| 09 | DI4A |
| 10 | DI4B |
| 11 | DI5A |
| 12 | DI5B |
| 13 | DI6A |
| 14 | DI6B |
| 15 | DI7A |
| 16 | DI7B |

Ordering Information

| | |
|---------------------|--|
| I-8058W-G CR | 8-channel 80 ~ 250 VAC Isolated Digital Input Module (Gray Cover) (RoHs) |
|---------------------|--|