



NSM-205GP

4G+1G Combo Port Gigabit Unmanaged Ethernet Switch with 4 IEEE 802.3af/at PoE+ ports

Features

- Full Gigabit Ethernet ports
- 4 PoE/PoE+ PSE capable ports, fully compliant to IEEE 802.3af/at
- Supports 10 KB jumbo frames
- Pluggable SFP transceiver port
- Supports Auto Negotiation and Auto MDI/MDI-X
- Supports Dual +18 ~ 55 VDC power input and 1 relay output

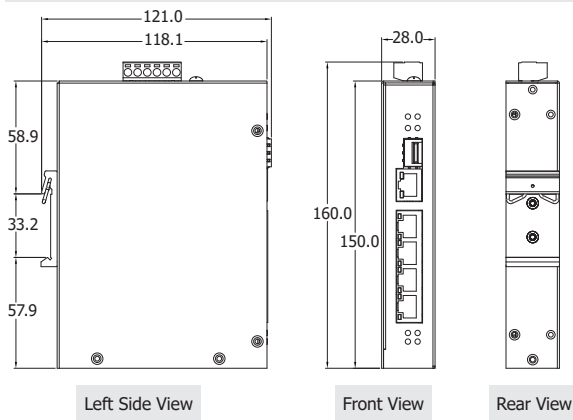


Introduction

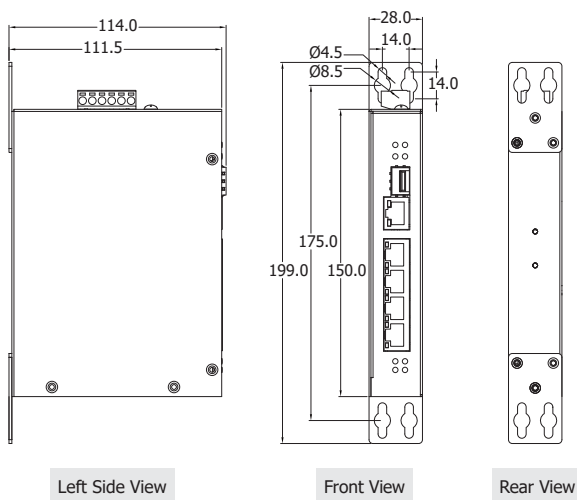
The NSM-205GP is 5-port unmanaged full Gigabit Ethernet switch supporting Power-over-Ethernet on ports 1 to 4. The switch is classified as power source equipment (PSE), and when used in this way, the NSM-205GP switch enable centralization of the power supply, providing up to 30 watts. The NSM-205GP can be used to power IEEE 802.3af/at standard devices (PD). Voltage boost technology supports 24V industrial power sources ensuring that a full and proper PSE voltage is available across all PoE ports.

Dimensions (Units: mm)

DIN-rail mounting



Wall mounting



Applications





Specifications

LED Indicators	
Status	PWR1, PWR2, Power fail, 10/100M, 1000M, Link/Act, Power Device is detected
Ethernet	
Ports	4 x RJ-45, 10/100/1000Base-T 1 x RJ45 /SFP Slot Combo, 10/100/1000Base-T
Standards	IEEE 802.3 for 10Base-T IEEE 802.3u for 100Base-TX IEEE 802.3ab for 1000Base-T IEEE 802.3x for Flow Control IEEE 802.3af Power Over Ethernet IEEE 802.3at Power Over Ethernet Energy Efficient Ethernet (EEE) as per 802.3az; this provides power savings during idle network activity
Processing Type	Store & forward, wire speed switching
MAC Table	8 K
Memory Bandwidth	10 Gbps
Frame Buffer Memory	1 Mbit
Flow Control	IEEE802.3x flow control, back pressure flow control
Jumbo Frames	10 K for Speed 1000M
Isolation	1500 Vrms 1 minute
DIP Switch	100BaseSFP/1000BaseSFP and PoE/PoE+ setting
PoE Technology	
PoE Compliance	100% IEEE 802.3at compliant
PoE Power	Up to 30 watts per channel
PoE Operation	Automatic detection and power management
PoE Pin Assignments	V+ (pin 1, 2), V-(pin 3, 6)
PoE Disconnect Mode	DC disconnect
Fiber	
Ports	1 x 1000Base /100Base SFP slot
Power	
Reverse Polarity Protection	Yes
Input Range	+18 ~ +55 VDC Redundant Dual Inputs
Redundant Power Inputs	Yes
Consumption	0.13@ 48 VDC without PD loading; 3.1 A @ 48 VDC with PD full loading (30 W per ports) 0.25@ 24 VDC without PD loading; 6.2 A @ 24 VDC with PD full loading (30 W per ports)
Alarm Output	Yes, Relay 1 A @ 30 VDC
Mechanical	
Casing	Metal
Dimensions (mm)	DIN-rail mounting: 28 x 160 x 119 (W x L x H) Wall mounting: 28 x 199 x 112 (W x L x H)
Installation	DIN-rail mounting or wall mounting (optional)
Ingress Protection Rating	IP30
Environment	
Operating Temperature	-40 °C ~ +75 °C
Storage Temperature	-40 °C ~ +85 °C
Humidity	10% ~ 90% RH, non-condensing

Ordering Information

NSM-205GP CR	4G+1G Combo Port Gigabit Unmanaged Ethernet Switch with 4 IEEE 802.3af/at PoE+ ports (RoHS)
---------------------	---

Accessories

ASO-0015 CR	Wall Mount Kit (W:28mm) (RoHS)	
SFP-100M13M-FX CR	100Base-FX, Multi-mode 1310 nm, 2 km SFP module (RoHS)	
SFP-1G85M-SX CR	1000Base-SX, Multi-mode 850 nm, 0.5 km SFP module (RoHS)	
SFP-1G13M-SX2 CR	1000Base-SX2, Multi-mode 1310 nm, 2 km SFP module (RoHS)	
SFP-1G13S-LX CR	1000Base-LX, Single-mode 1310 nm, 10 km SFP module (RoHS)	
SFP-1G13S-LX20 CR	1000Base-LX20, Single-mode 1310 nm, 20 km SFP module (RoHS)	