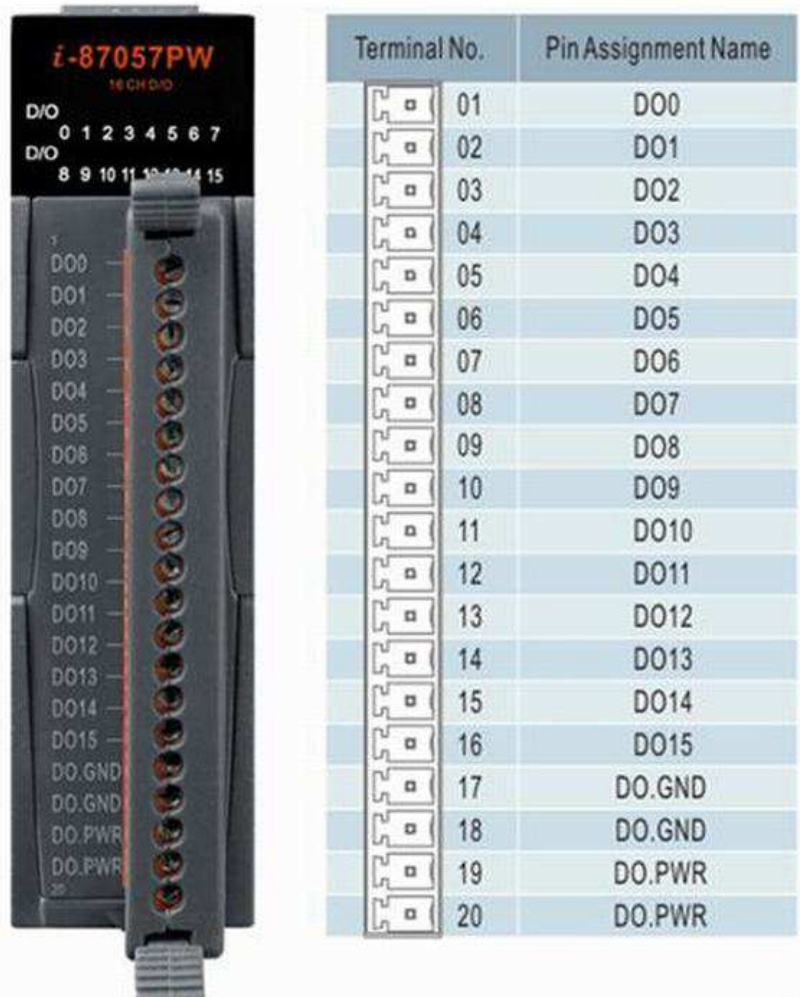


I-87057PW Hardware User Guide

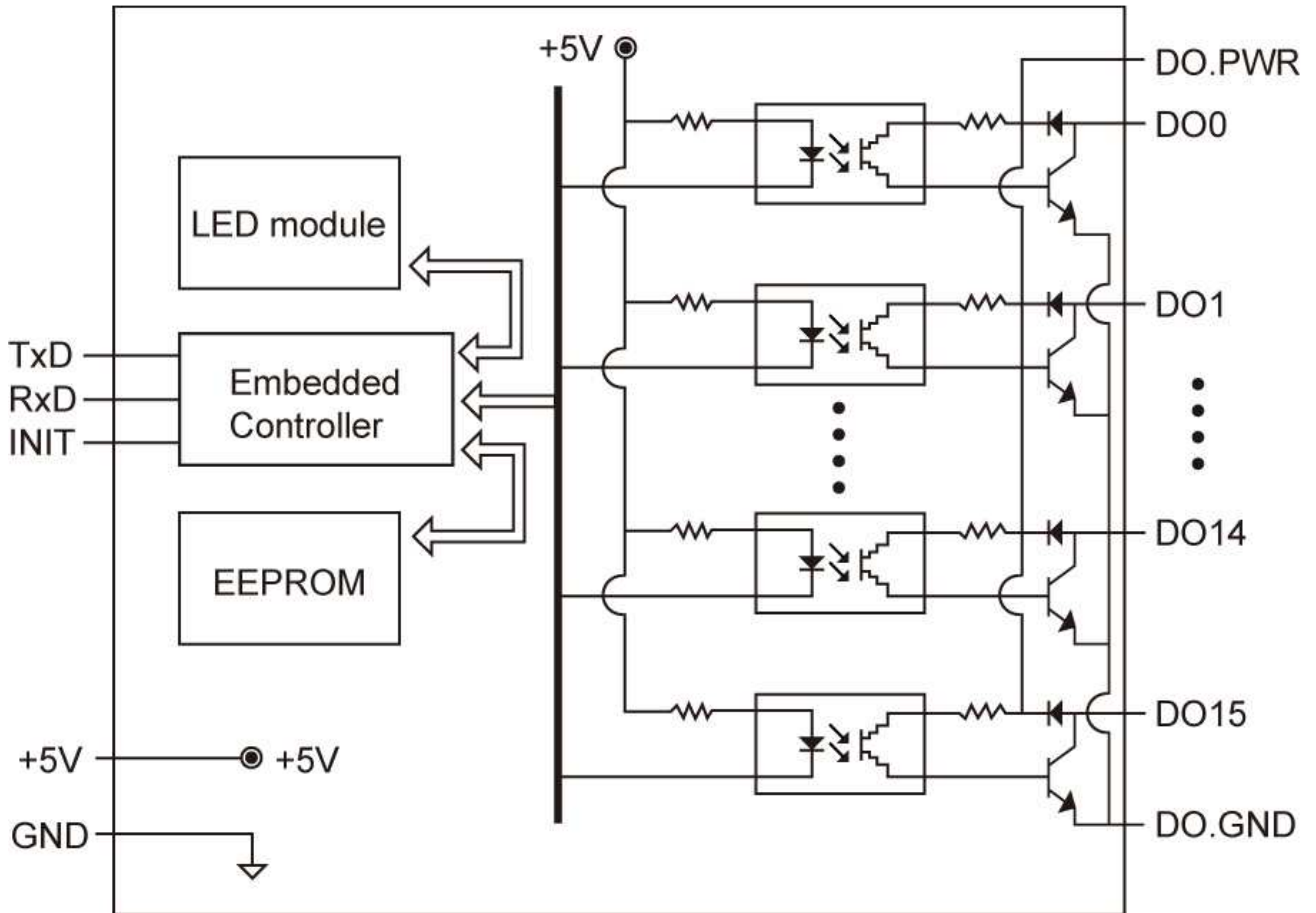
I-87057PW Command Set on 8k Unit Specifications

Digital Output	Outputs per module	16 (Sink)
	Output Type	Isolated open-collector
	Max load current	700mA per channel
	Load voltage	+3.5V to +50VDC
	Isolation Voltage	3750 VDC
LED Display	1 LED as Power/Communication indicator 16 LEDs as digital output indicators	
4KV ESD Protection	Yes, contact for each terminal	
Power Consumption	Maximum : 0.4W	

I-87057PW Pin Assignment



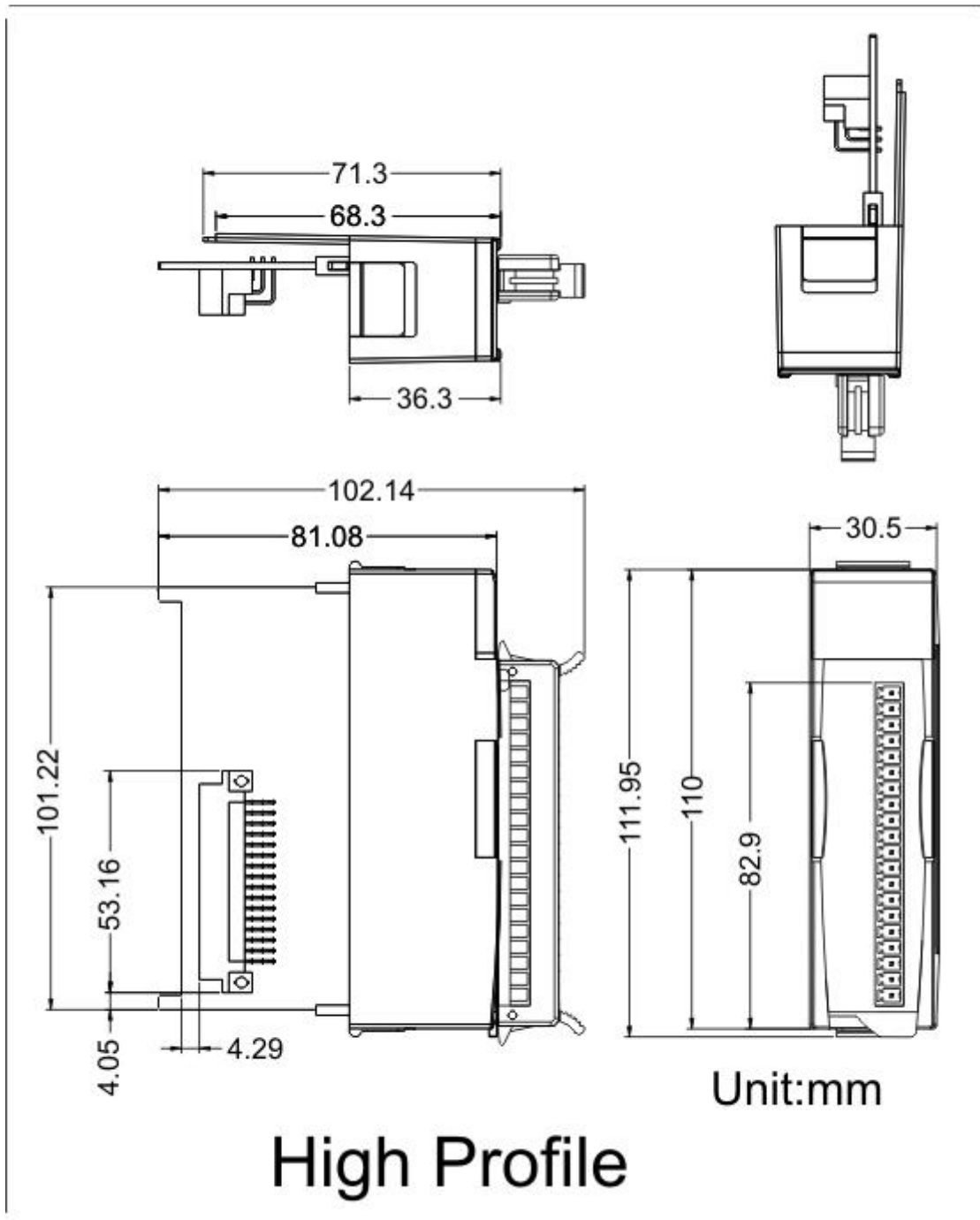
I-87057PW Block Diagram



I-87057PW Wire Connection

Output Type	ON State LED ON Readback as 1	OFF State LED OFF Readback as 0
	Relay ON	Relay Off
Drive Relay		
Resistance Load		

I-87057PW Dimensions



I-87057PW Default Setting

Configuration	Default Setting	Description
Type	40	Digital Input/Output
Baudrate	0A	115200 bps
Format	00	Checksum disable