

ET-2242U

Ethernet I/O Module with 16-ch Sink-/Source-type DO

Features

- Built-in Web Server
- Support Modbus TCP/UDP, MQTT, and SNMP V2c Protocols
- 2-port Ethernet Switch (LAN Bypass) for Daisy-Chain Wiring
- Dual Watchdog
- I/O Pair Connection (Push and Pull)
- Built-in I/O
 - 16-channel DO selectable as either Sink- or Source-type via wire connection
- LED Display to Indicate the I/O Status



Introduction

The ET-2242U provides 16 sink- or source-type Digital Output channels by wire connection and each channel can drive 500 mA load. There are configurable power-on and safe values for digital output. With 2 Ethernet ports, the ET-2242U allows daisy chain connection which permits the flexibility in locating devices, eases installation and lowers infrastructure costs. It features 8 kV ESD protection, 4 kV EFT protection, 3 kV surge and 3000 Vdc I/O isolation to enrich the noise protection ability for industrial environment.

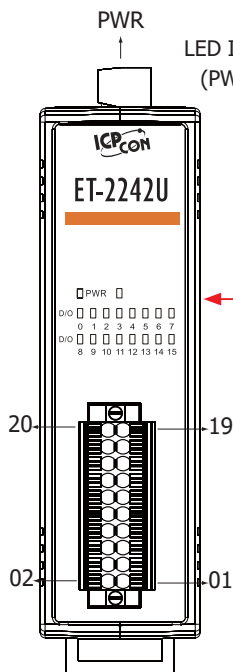
System Specifications

| | |
|-----------------------------|--|
| Software | |
| Built-in Web Server | Yes |
| CPU Module | |
| CPU | 32-bit ARM |
| Watchdog Timer | Module, Communication (Programmable) |
| Isolation | |
| 2-way Isolation | Ethernet: 1500 VDC I/O: 3000 VDC |
| EMS Protection | |
| EFT (IEC 61000-4-4) | ±4 kV for Power Line |
| ESD (IEC 61000-4-2) | ±8 kV Contact for Each Terminal ±16 kV Air for Random Point |
| Surge (IEC 61000-4-5) | ±2 kV for Power Line |
| LED Indicators | |
| Status | Run, Ethernet, I/O |
| Ethernet | |
| Ports | 2 x RJ-45, 10/100 Base-Tx, Switch Ports |
| LAN bypass | Yes |
| Security | Password and IP Filter |
| Protocol | Modbus TCP, Modbus UDP, MQTT, and SNMP V2c |
| Power | |
| Reverse Polarity Protection | Yes |
| Consumption | 2.6 W (max.) |
| Powered from Terminal Block | +10 to +48 VDC |
| Mechanical | |
| Casing | Plastic |
| Dimensions (mm) | 33 x 126 x 108 (W x L x H) |
| Installation | DIN-Rail Mounting |
| Environment | |
| Operating Temperature | -25 to +75°C |
| Storage Temperature | -40 to +80°C |
| Humidity | 10 to 90% RH, Non-condensing |

I/O Specifications

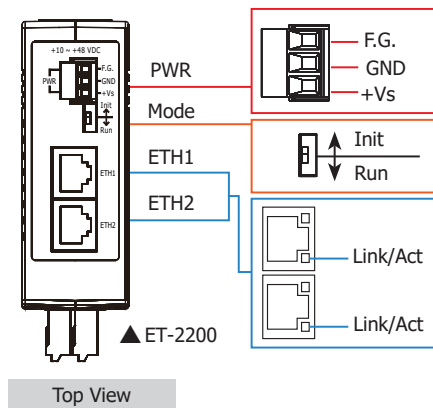
| Model | ET-2242U |
|------------------------|----------------|
| Digital Output | |
| Channels | 16 |
| Type | Push-Pull |
| Sink/Source (NPN/PNP) | Sink/Source |
| Load Voltage | +3.5 to +80 V |
| Load Current | 500 mA/channel |
| Overload Protection | - |
| Overvoltage Protection | - |
| Power-on Value | Programmable |
| Safe Value | Programmable |

Pin Assignments



| Pin Assignment | Terminal No. | Pin Assignment |
|----------------|--------------|----------------|
| DO7 | 20 | 19 DO15 |
| DO6 | 18 | 17 DO14 |
| DO5 | 16 | 15 DO13 |
| DO4 | 14 | 13 DO12 |
| DO3 | 12 | 11 DO11 |
| DO2 | 10 | 09 DO10 |
| DO1 | 08 | 07 DO9 |
| DO0 | 06 | 05 DO8 |
| DO.COM | 04 | 03 DO.COM |
| DO.COM | 02 | 01 DO.COM |

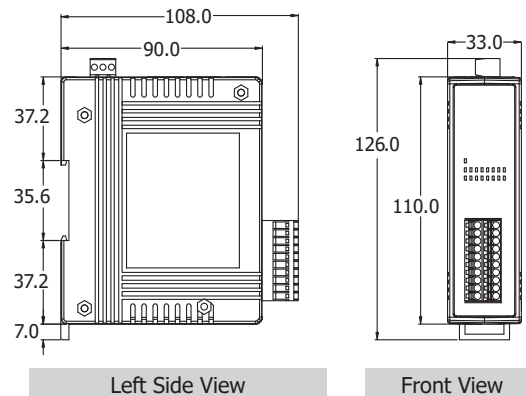
20-pin Connector



Wire Connections

| Output Type | ON State Readback as 1 | OFF State Readback as 0 |
|-------------|--------------------------------|--------------------------------|
| Sink | <p>DOx E.GND E.PWR</p> | <p>DOx E.GND E.PWR</p> |
| Source | <p>DOx E.GND E.PWR</p> | <p>DOx E.GND E.PWR</p> |

Dimensions (Units: mm)



Ordering Information

| | |
|--------------------|--|
| ET-2242U CR | Ethernet I/O Module with 2-port Ethernet Switch and 16-ch Sink/Source-type DO (RoHS) |
|--------------------|--|