



**NS-208A**

**NSM-208A**

8-port Industrial 10/100 Mbps Ethernet Switch

**Features**

- Cost-effective
- Automatic MDI/MDI-X crossover for plug-and-play
- Store-and-forward architecture
- Full duplex IEEE 802.3x and half duplex backpressure flow control
- Each port supports both 10/100 Mbps speed auto negotiation



**Introduction**

The NS-208A/NSM-208A has 8 Ethernet ports that support 10/100 Base-TX, with a 10/100M auto negotiation feature and auto MDI/MDI-X function.

All Ethernet ports have memory buffers that support the store-and-forward mechanism, which assures that data can be transmitted properly. The NS-208A/NSM-208A supports advanced network standards to optimize network performance, reduce maintenance costs, and secure network safety.

The flow control mechanism is also negotiated. There is link/data rate LEDs for each port to aid troubleshooting. Port connectors are shielded RJ-45.

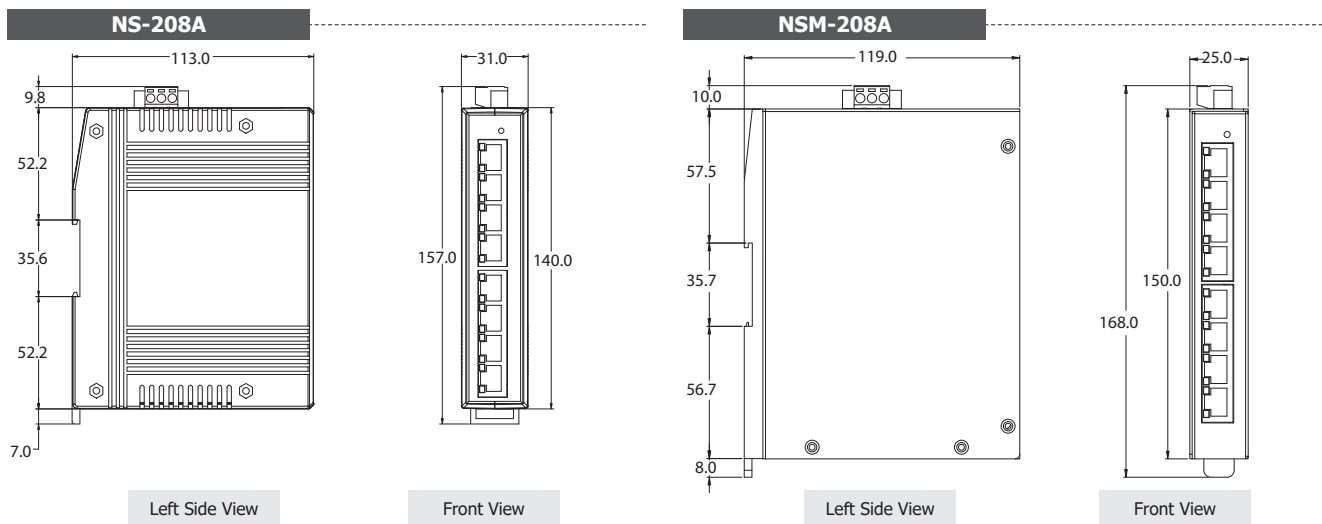
**Specifications**

Model	NS-208A	NSM-208A
<b>EMS Protection</b>		
ESD (IEC 61000-4-2)	Yes	
<b>LED Indicators</b>		
Status	Power, Link/Act, 10/100M	
<b>Ethernet</b>		
Ports	8 x RJ-45, 10/100Base-TX	
Standards	IEEE 802.3, 802.3u, 802.3x	
Processing Type	Store & forward; wire speed switching	
MAC Table	2048	
Frame Buffer Memory	768 Kbit	
Flow Control	IEEE 802.3x flow control, back pressure flow control	
Isolation	1500 Vrms 1 minute	
<b>Power</b>		
Reverse Polarity Protection	Yes	
Input Range	+12 ~ +48 VDC	
Consumption	20 mA@24 VDC (without loading) 80 mA@24 VDC (Full loading)	
<b>Mechanical</b>		
Casing	Plastic	Metal
Dimensions (mm)	31 x 157 x 113 (W x L x H)	25 x 168 x 119 (W x L x H)
Installation	DIN-Rail Mounting	
Ingress Protection Rating	-	IP30
<b>Environment</b>		
Operating Temperature	-40 °C ~ +75 °C	
Storage Temperature	-40 °C ~ +85 °C	
Humidity	10% ~ 90% RH, non-condensing	

## Comparison Table of 8-port 10/100 Mbps Ethernet Switch

Mode Name	NS-208	NSM-108	NS-208A	NSM-208A	NS-208R
Input Voltage Range	+12 VDC ~ +48 VDC				
Casing	Plastic	Metal	Plastic	Metal	Plastic
Installation	DIN-Rail Mounting	DIN-Rail Mounting or Wall Mounting	DIN-Rail Mounting		
Dimensions (W x L x H) (Unit: mm)	64 x 118 x 98	73 x 132 x 103	31 x 157 x 113	25 x 168 x 119	64 x 118 x 98
Remarks	-		Cost-effective		EN50155-certified

## Dimensions (Units: mm)



## Ordering Information

<b>NS-208A CR</b>	Unmanaged 8-port Industrial 10/100 Mbps Ethernet Switch (RoHS)
<b>NSM-208A CR</b>	Unmanaged 8-port Industrial 10/100 Mbps Ethernet Switch with Metal Case (RoHS)